



STAYER

- ES** Manual de instrucciones
- IT** Istruzioni d'uso
- GB** Operating instructions
- DE** Bedienungsanleitung
- FR** Instructions d'emploi
- P** Manual de instruções

VENTO 2400 B

VENTO 2400 C



Área Empresarial Andalucía - Sector I
Calle Sierra de Cazorla nº7
C.P: 28320 Pinto (Madrid) SPAIN
Email: sales@grupostayer.com
Email: info@grupostayer.com

Fig. 1

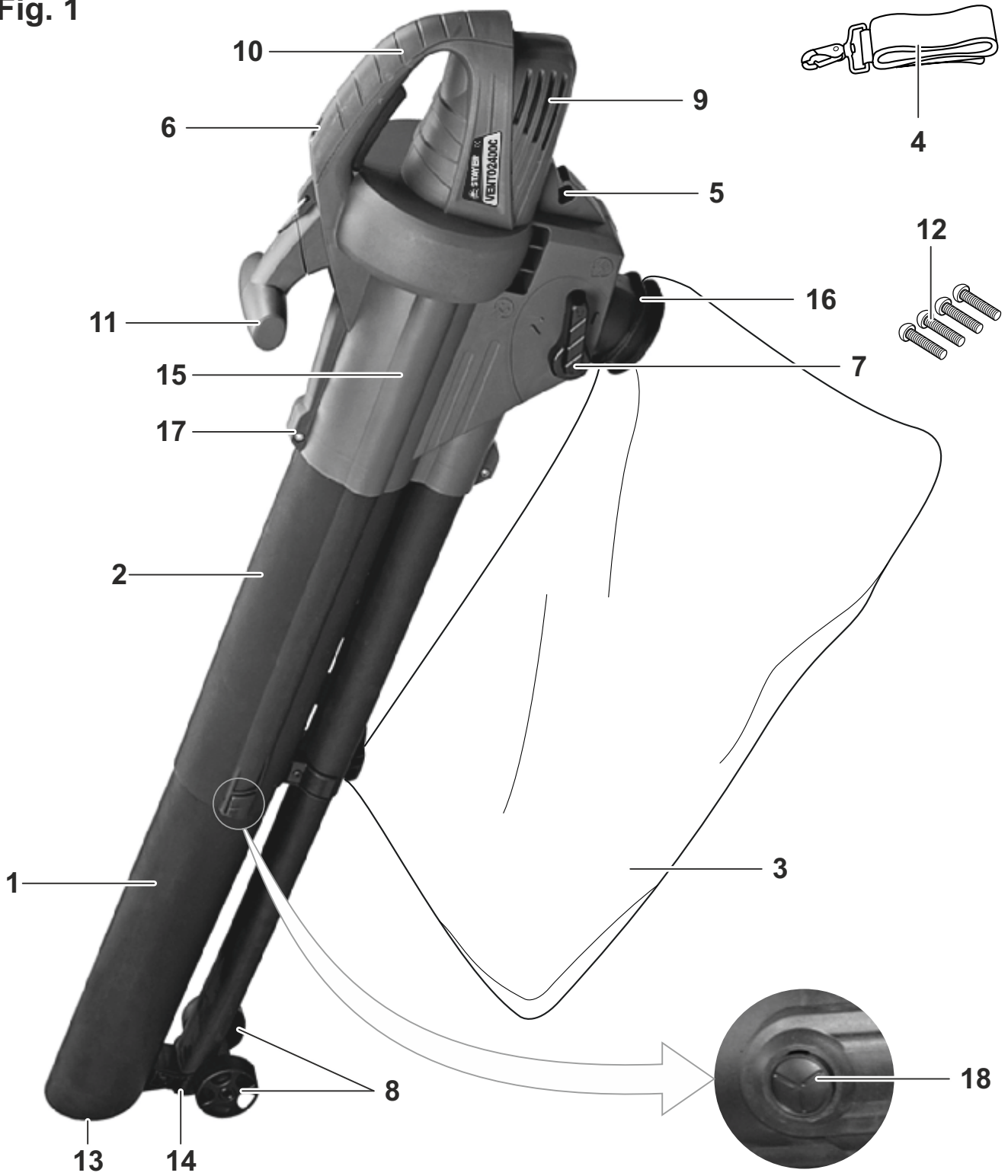


Fig. 2



Fig. 3



Fig. 4



Fig. 5



Fig. 6

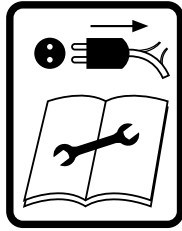


Fig. 7

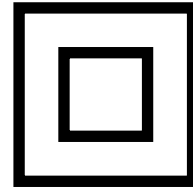


Fig. 8

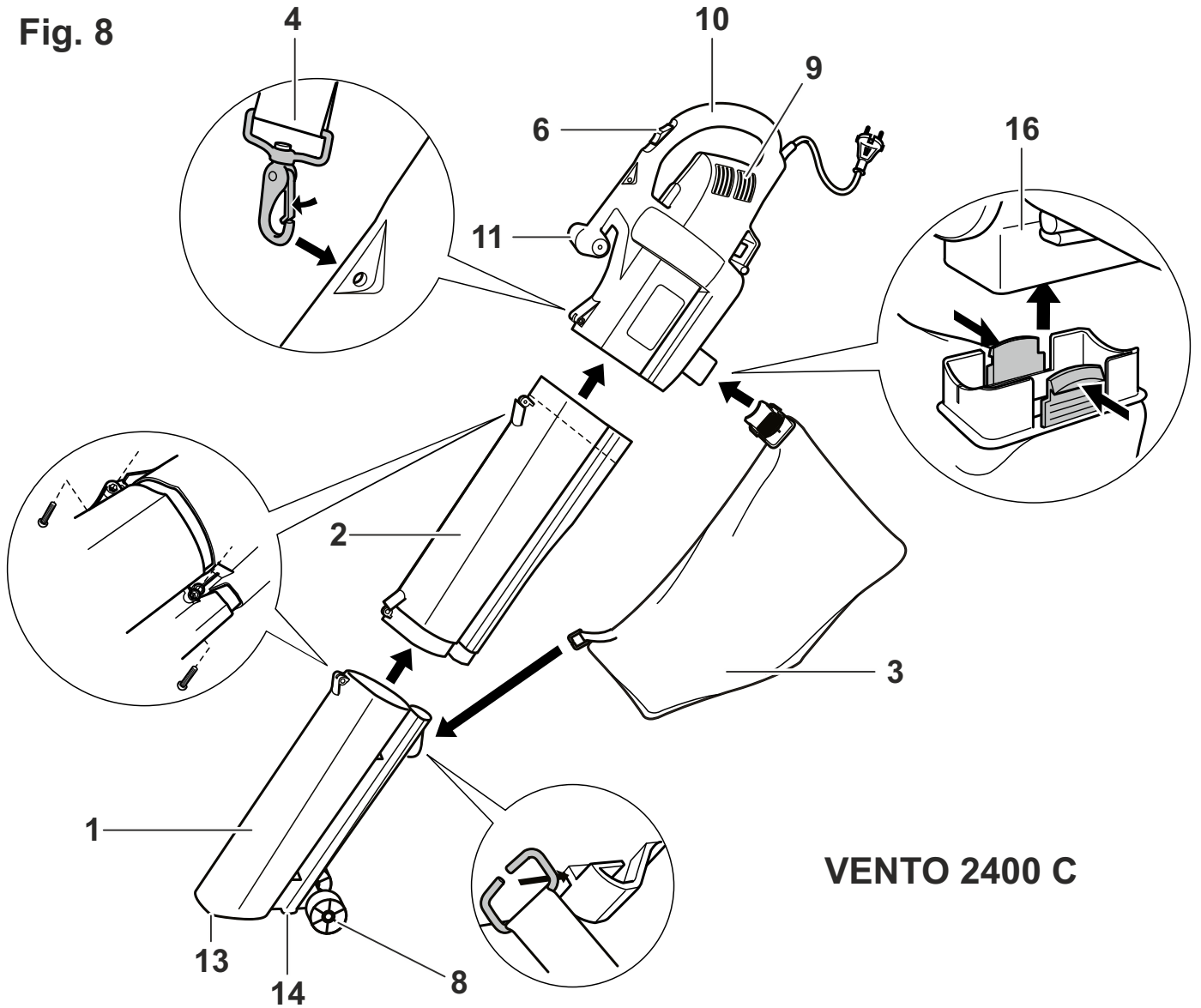


Fig. 9

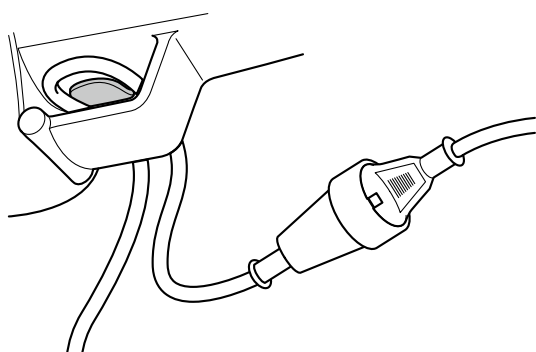


Fig. 10

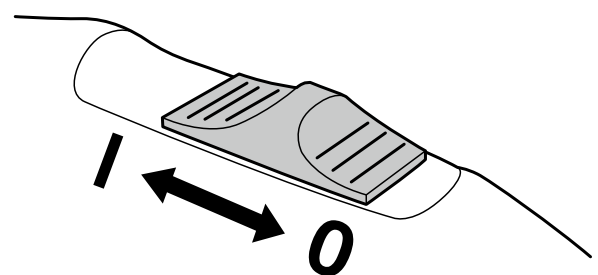


Fig. 11

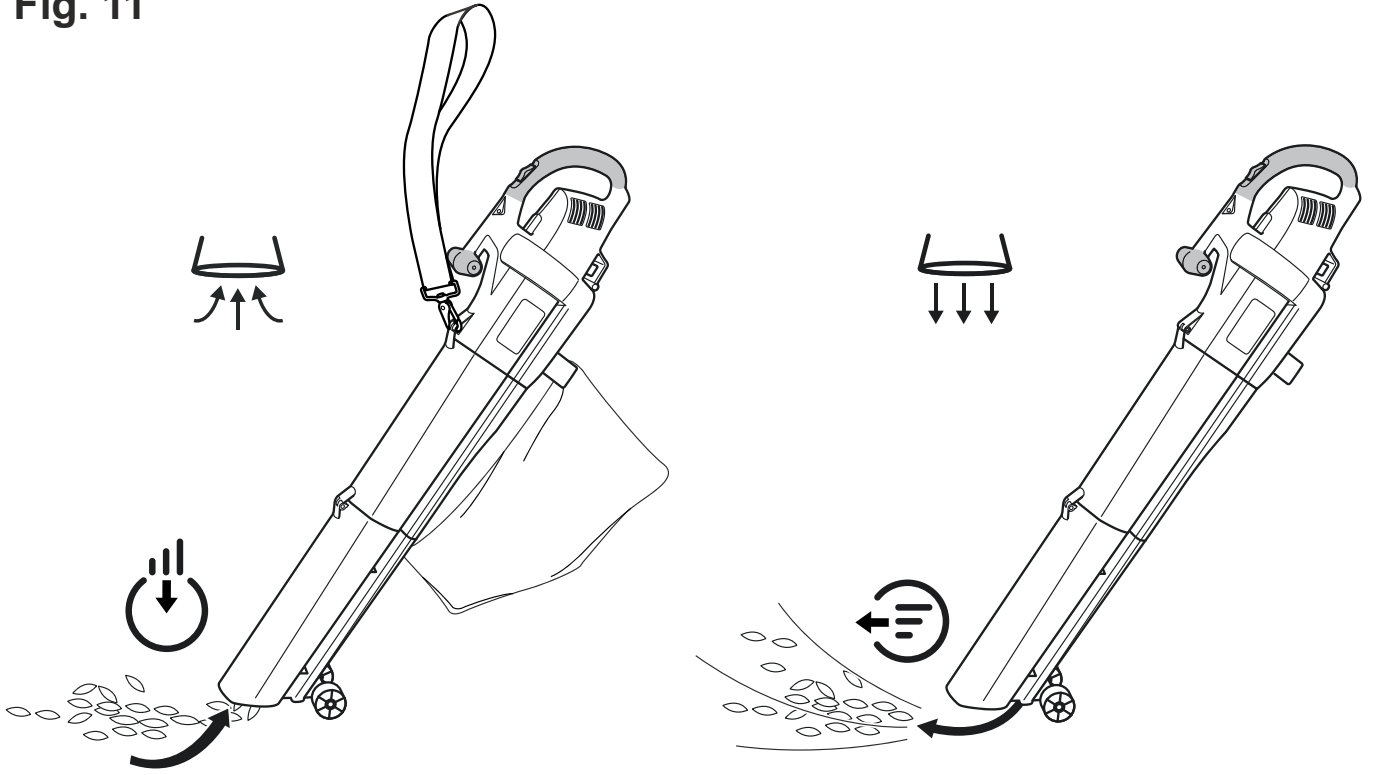
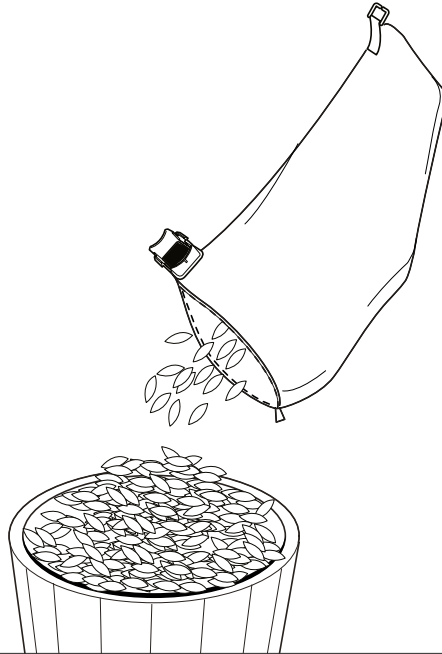


Fig. 12





		VENTO2400B	VENTO2400C	
	W	2400	2400	
	min ⁻¹	9000-13000	9000-13000	
	km/h	210	270	
	L	35	45	
	m ³ /min	13	13	
	m ³ /hora	780	780	
	kg	5.1	3.8	
	K=3 dB	L _{PA} dB(A)	77	77
		L _{WA} dB(A)	97	97
	K=1.5 m/s ²	a _h m/s ²	7.4	7.4

The **STAYER VENTO 2400 B / VENTO 2400 C** electroportable blowing and aspirating machine may be used only for aspirating together with a collector bag, and blowing dry plant materials within the scope of domestic gardens. Any other kind of use such as farming works, forestry or public use is prohibited.

1. Contents

	page
2. Specific safety instructions	14
3. Instructions for use	14
3.1 Placement Tool.....	14
3.2 Assembly.....	14
3.3 Illustrated description.....	15
4. Operating instructions	15
4.1 On / Off.....	15
4.2 Troubleshooting.....	15
5. Maintenance and service instructions	16
5.1 Repair service.....	16
5.2 Warranty.....	16
5.3 Disposal and recycling.....	16
6. Regulations	16
6.1 Technical Data.....	16
6.2 EU declaration of conformity.....	17

2. Specific safety instructions

BEFORE USE

- **Be familiar with the controls and the proper use of the tool.**
- **Check the functioning of the tool before each use and, in case of a defect, have it repaired immediately by a qualified person; never open the tool yourself.**
- **Before use, thoroughly inspect the area where the tool is to be used and remove all solid objects that could damage the shredding mechanism when vacuuming (such as stones, broken glass, pieces of metal).**
- **When vacuuming, never use the tool without the collection bag in place.**
- **Regularly check the collection bag for wear or damage.**
- **Replace worn or damaged parts**
- **Keep all nuts, bolts and screws tight to be sure that the tool is in a safe working condition**

DURING USE

- Always keep the cord away from moving parts of the tool; direct the cord to the rear, away from the tool.
- Operate the tool at a walking pace only (do not run).
- Keep proper footing on slopes.

- **Always ensure that the ventilation openings are kept clear of debris.**
- **Take a secure stance when working (do not overreach, especially when using steps or a ladder)**

EXPLANATION OF SYMBOLS ON TOOL

Read the instruction manual before use. **Fig. 2**

Wear protective glasses. **Fig. 3**

Do not expose tool to rain. **Fig. 4**

Pay attention to the risk of injury caused by flying debris (keep bystanders a safe distance away from work area). **Fig. 5**

Switch off and disconnect plug before cleaning/maintenance or if (extension) cord is damaged or entangled. **Fig. 6**

Double insulation (no earth wire required). **Fig. 7**

3. Instructions for use

3.1 Placement Tool

This tool has been designed for blowing/collecting as well as vacuuming/shredding dry leaves and other dry garden rubbish such as grass and twigs.

This tool is intended for domestic use only and is not designed to be used under wet conditions.

This tool is not intended for professional use.

Read this instruction manual carefully before use and save it for future reference (Fig.2).

Pay special attention to the safety instructions and warnings; failure to follow these may result in serious injury

Check whether the packaging contains all parts as illustrated in drawing (**Fig.1**).

When parts are missing or damaged, please contact your dealer

3.2 Assembly (Fig. 8)

Ensure that tubes **1** and **2** and collection bag **3** are assembled correctly and that shoulder strap **4** is adjusted correctly before operating the tool.



Firmly tighten all screws, bolts and nuts

For VENTO 2400 B

The machine is packaged with the telescopic air **1** channeling tube disassembled and folded. To couple the tube **1** to the machine's motor set **15**, first extend the tube **1** and then fix it to the motor set **15**.

Extend the tube **1** to its maximum length by pulling its end until the holes **17** in the support of the fixing devices of the tube **1** can be seen.

Insert the two fixing plugs **18** that are supplied, ensuring that they enter into the support.

Place the channeling tube **1** on the motor set **15**, ensuring that the holes **17** in both parts engage.

Fix the two pieces by means of the two screws and the two nuts that are supplied.

Collection Bag (VENTO2400B)

When aspirating, the collector bag **3** must be compulsorily used. To assemble the bag **3** at the motor set **15**:

1. Place the circular support for the bag **3** at the air outlet hole **16** ensuring engagement of the holes.
2. Fix the support by inserting it into the guides and tighten each of the two self-screwing screws as supplied.
3. Secure the bag **3** to the support **16** by tying it with the rope as included.
4. The bag **3** has two fastening loops made of fabric. Fasten them to the fastening hooks at the motor set.
5. Always keep the bag **3** empty when the machine is not in operation.

Machine holding belt

The equipment includes a belt **4** for ergonomically positioning the machine. For assembly of the holding belt **4**:

- Open the belt **4** by pushing its lock.
- Pass the belt **4** through the fastening ring **17**.
- Adjust the length of belt **4** according to the user's stature and depending on how it is held.

Cord restraint (Fig. 9)

- Hook the loop in the extension cord over restraint **5** as illustrated.
- Pull tight to secure the extension cord.

Emptying of collection bag (Fig. 12)



Switch off the tool and disconnect the plug

- Wait until the impeller comes to a standstill before removing the collection bag from the tool.
- Open the zipper of the collection bag and empty it completely
- Compostic material does not belong with domestic waste

3.3 Illustrated description

- 1 Lower blower/suction tube
- 2 Upper blower/suction tube
- 3 Collection bag
- 4 Shoulder strap
- 5 Cord restraint
- 6 On/off switch
- 7 Switch for selecting operating mode
- 8 Supporting wheels
- 9 Ventilation slots
- 10 Main handle
- 11 Guide handle

- 12 Fastening screws (4)
- 13 Vacuum opening
- 14 Blower opening
- 15 Motor set
- 16 Suction socket
- 17 Fastening holes
- 18 Fixing plugs (VENTO2400B)

4. Operating instructions

4.1 On / Off (Fig. 10)

Switch on/off the tool by pushing switch **6** (Fig. 10) in "I"/"O" position



Before switching on the tool, ensure that it is not in contact with any object. After switching off the tool the motor continues to run for a few seconds.

Blowing

Select blowing mode with switch **7** as illustrated (**only when tool is switched off**)

Vacuuming

- Ensure that collection bag **3** is attached to the tool (for mounting see Fig. 1-8)
- Select vacuuming mode with switch **7** as illustrated (**only when tool is switched off**)



Do not vacuum solid objects such as stones, broken glass, pieces of metal

- Do not vacuum liquids.
- Do not vacuum large volumes of leaf material at one time thus avoiding clogging of the vacuuming opening and blocking of the shredder impeller.
- The shredding intensity depends on the size of the leaf material and its residual moisture.



When the tool suddenly stops, immediately switch it off, disconnect plug from power source, and remove any jammed material between shredder impeller and housing.

- Regularly empty collection bag **3** (the vacuum capacity decreases considerably when the collection bag is full)

Holding and guiding the tool (Fig. 11)




While working, always hold the tool at the grey-coloured grip area(s)

- Use supporting wheels **8** for easy guiding the tube along the ground
- For optimal results keep a 5 - 10 cm distance to the ground

4.2 Troubleshooting

The following listing shows problem symptoms, possible causes and corrective actions (if these do not identify and correct the problem, contact your dealer or service station)

 **Switch off the tool and disconnect the plug before investigating the problem**

Tool does not operate

- **No power supply.** Check power supply (power cable, circuit breakers, fuses)
- **Plug not connected.** Connect plug.
- **Extension cord damaged.** Replace extension cord.
- **On/off switch defective.** Contact dealer/service station.
- **Worn carbon brushes.** Contact dealer/service station.
- **Defective motor.** Contact dealer/service station.
- **Blowing/vacuum tube not completely mounted.** Mount two-part blowing/vacuum tube

Tool operates intermittently

- **On/off switch defective.** Contact dealer/service station
- **Internal wiring defective.** Contact dealer/service station
- **Impeller blocked by foreign object.** Remove blockage

No/low blowing power

- **Selector switch in vacuuming mode.** Set selector switch in blowing mode

No/low vacuuming power

- **Selector switch in blowing mode.** Set selector switch in vacuuming mode.
- **Collection bag is full/dirty.** Empty/clean collection bag.
- **Vacuuming opening clogged up or blocked by foreign object.** Remove blockage

5. Maintenance and service instructions

- This tool is not intended for professional use.
- Always keep tool and cord clean (especially ventilation slots 9)
 - Clean the tool **after each use** with a soft brush or a cloth (do not use cleaning agents or solvents)
 - Remove the collection bag **after each use**, turn it inside out and brush it thoroughly.
 - After removing the collection bag, ensure that possible dirt residues are removed from the released air outlet area

Storage

- Store the tool **indoors** in a dry and locked-up place, out of reach of children.
- Do not cover the tool with plastic (plastic may cause moisture with rust/corrosion as a result)

5.1 Repair service

Our after-sales service responds to your questions concerning maintenance and repair of your product as well as spare parts. Exploded views and information on spare parts can also be found under:

info@grupostayer.com

Our customer consultants answer your questions concerning best buy, application and adjustment of products and accessories.

5.2 Warranty

Warranty card

Included in the documentation that accompanies this equipment, you should find the warranty card. You should fill out the card completely and return to vendor with a copy of purchasing receipt or invoice and you should receive a receipt.

Note: If you cannot find the warranty card within the documentation, you must ask for it through your supplier.

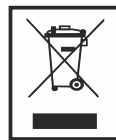
The warranty is limited only to manufacturing defects and expire if pieces have been removed or manipulated or repaired other than the manufacturer.

5.3 Disposal and recycling

The machine, accessories and packaging should be sorted for environmental-friendly recycling.

Only for EC countries:

Do not dispose of power tools into household waste!



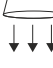
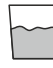






According the European Guideline 2002/96/EC for Waste Electrical and Electronic Equipment and its implementation into national right, power tools that are no longer usable must be collected separately and disposed of in an environmentally correct manner.

Subject to change without notice.

6. Regulations

6.1 Technical Data

	= Power input
	= No load speed
	= Maximum air speed
	= Capacity sac receiver
	= Airflow
	= Airflow
	= Weigth
L_{WA}	= Sound power level
L_{pA}	= Sound pressure level
	= Vibration

The values given are valid for nominal voltages [U] 230/240 V ~ 50/60 Hz - 110/120 V ~ 60Hz. For lower voltage and models for specific countries, these values can vary. Please observe the article number on the type plate of your machine. The trade names of the individual machines may vary.

Measured in accordance with EN/ISO 3744 the sound pressure level of this tool is 77 dB(A) and the sound power level 97 dB(A) (standard deviation: 2.2 dB), and the vibration 7.4 m/s² (hand-arm method; uncertainty K = 1.5 m/s²)

Measured in accordance with 2005/14/EC (EN/ISO 3744) the guaranteed sound power level LWA is lower than 100 dB(A)



Wear hearing protection!

The vibration emission level has been measured in accordance with a standardised test given in EN/ISO 5349; it may be used to compare one tool with another and as a preliminary assessment of exposure to vibration when using the tool for the applications mentioned.

- Using the tool for different applications, or with different or poorly maintained accessories, may significantly increase the exposure level.
- The times when the tool is switched off or when it is running but not actually doing the job, may significantly reduce the exposure level



Protect yourself against the effects of vibration by maintaining the tool and its accessories, keeping your hands warm, and organizing your work patterns.

6.2 EU declaration of conformity

The undersigned: **STAYER IBERICA, S.A.**

With address at:

Calle Sierra de Cazorla, 7
Área Empresarial Andalucía - Sector 1
28320 PINTO (MADRID)
Tel.: +34 91 691 85 16 / Fax: +34 91 691 91 72

CERTIFIES

That the machine:

Type: **Vacuum Blower**
Models: **VENTO 2400 B / VENTO 2400 C**

We declare under our sole responsibility that this product is in conformity with the following standards or standardized documents: EN 60335, EN 61000, EN 55014 according to EU Regulations 2006/95/CE, 2004/108/CE, 2006/42/CE, 2005/14/CE, 2011/65/UE.

Ramiro de la Fuente

Managing Director

January, 2017



