



STAYER

- ES** Manual de instrucciones
- IT** Istruzioni d'uso
- GB** Operating instructions
- DE** Bedienungsanleitung
- FR** Instructions d'emploi
- P** Manual de instruções
- TR** Kullanma Kılavuzu

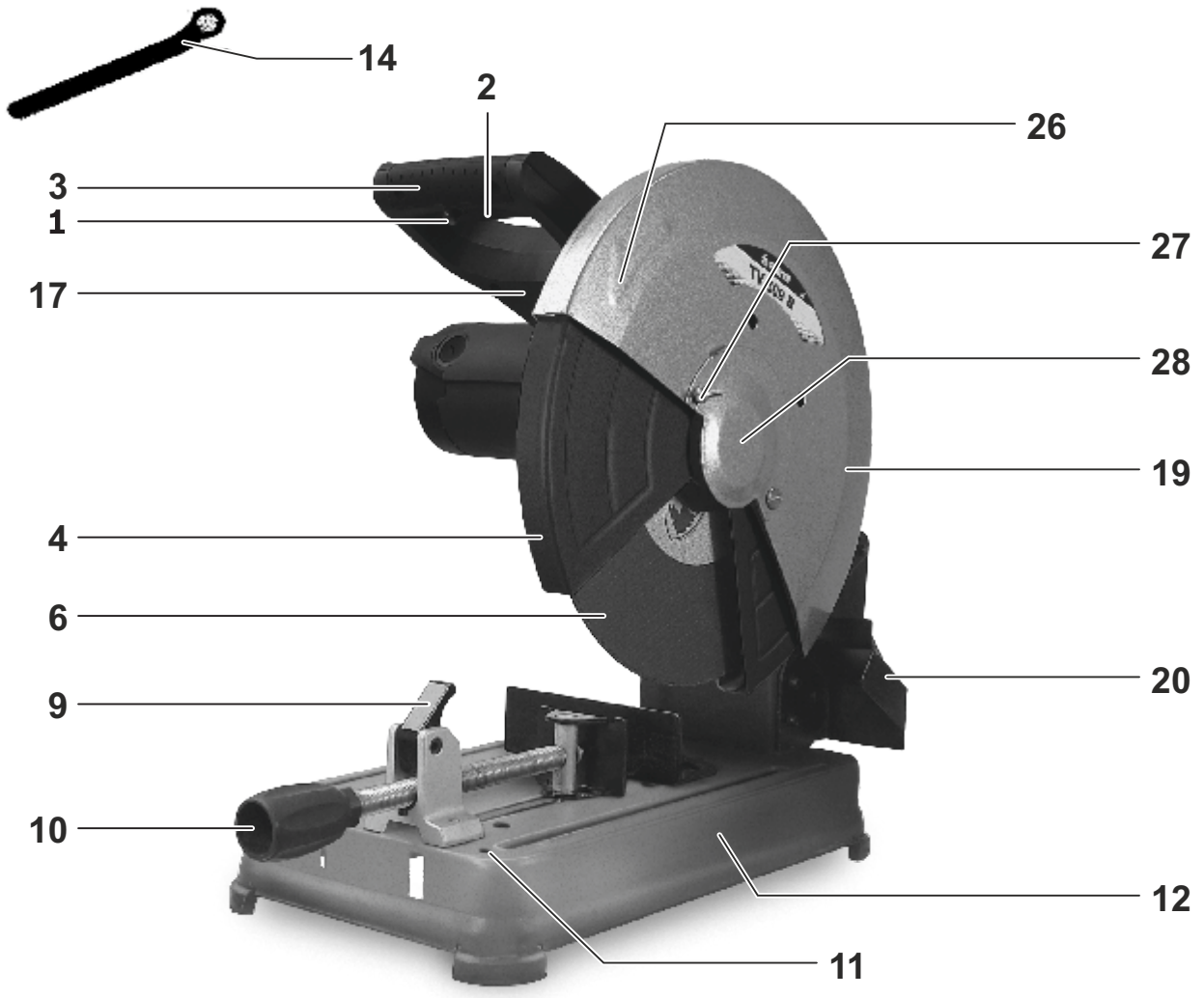
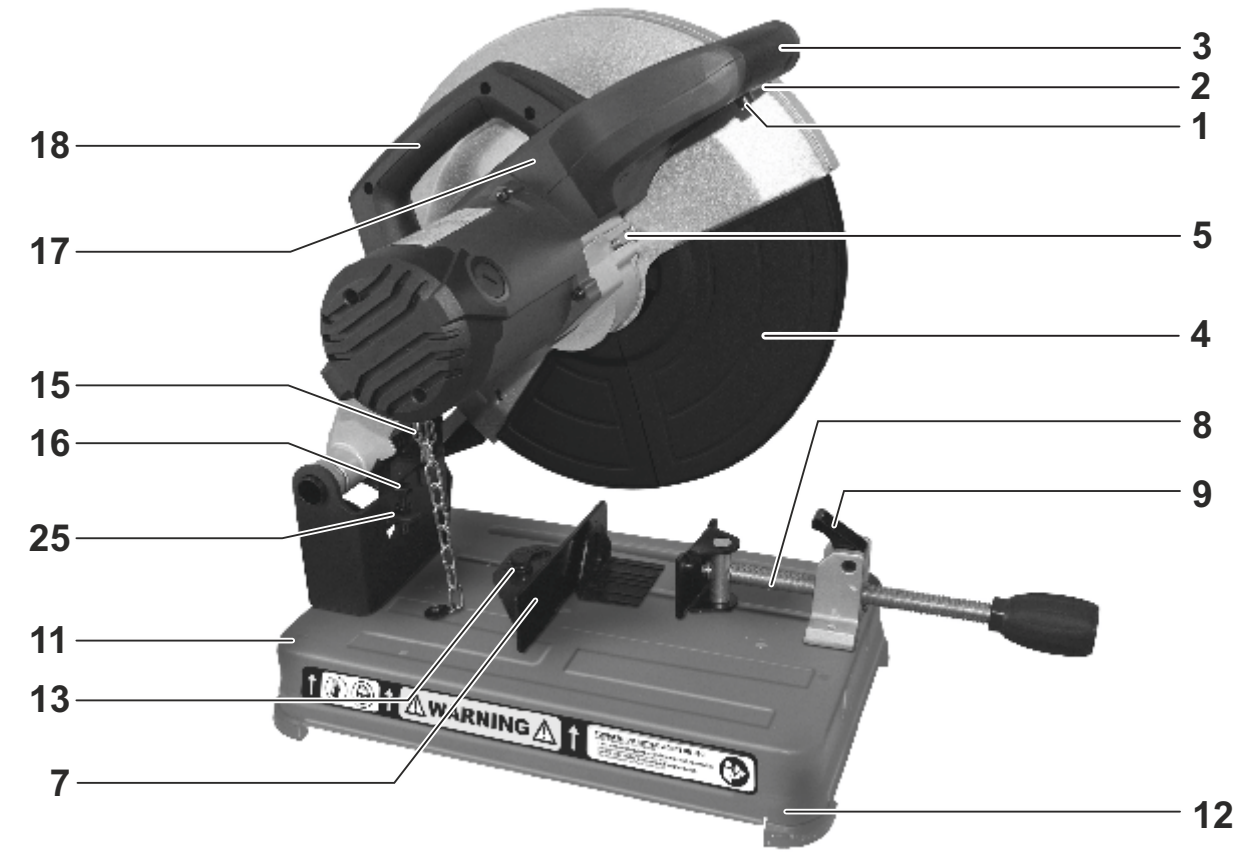
TV509 TV509B TV509C

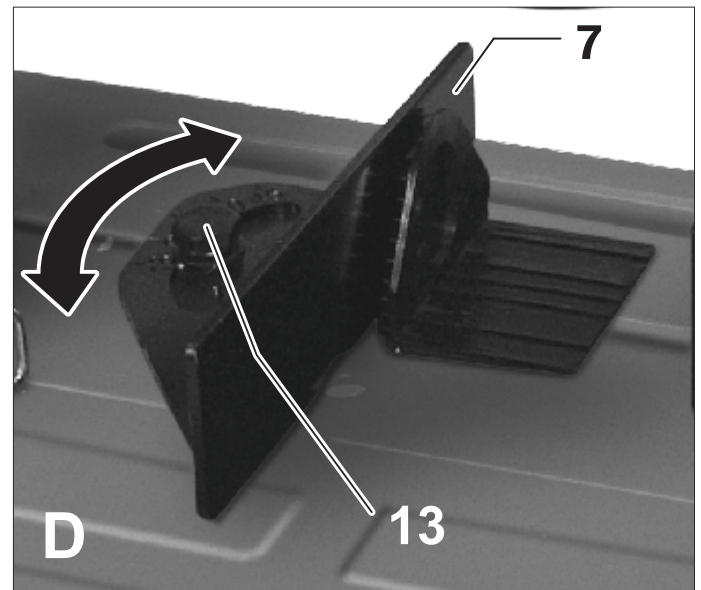
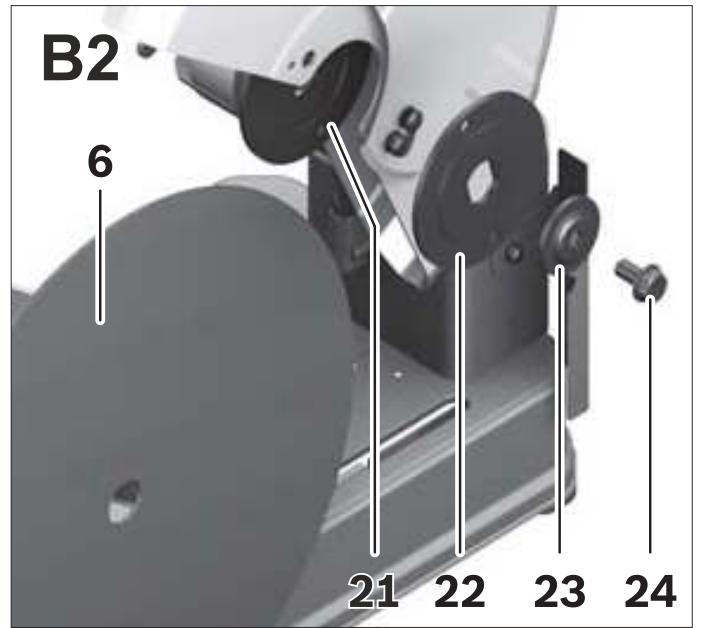
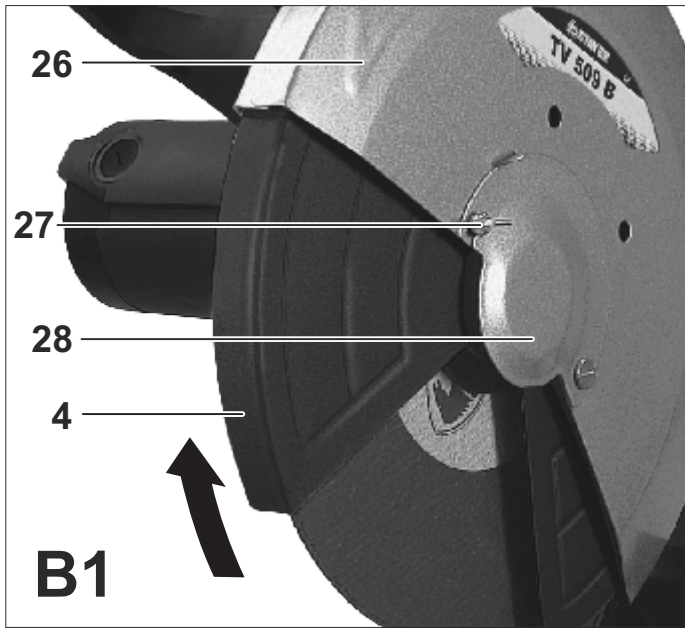


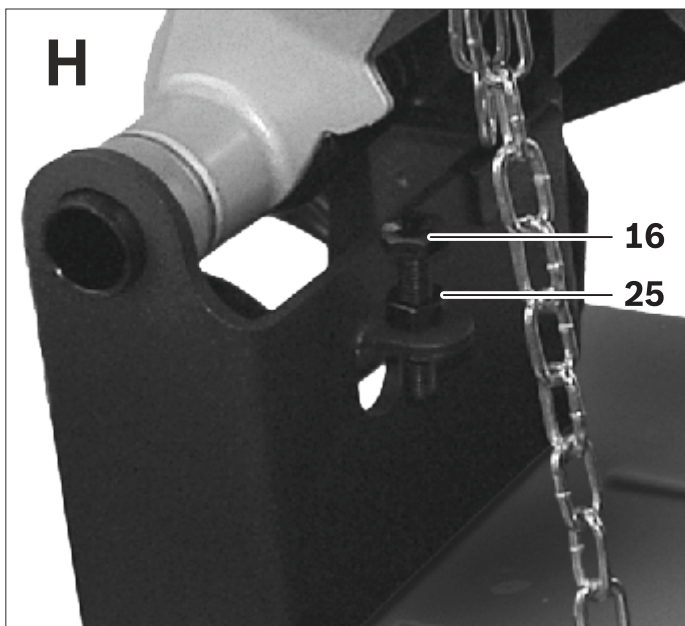
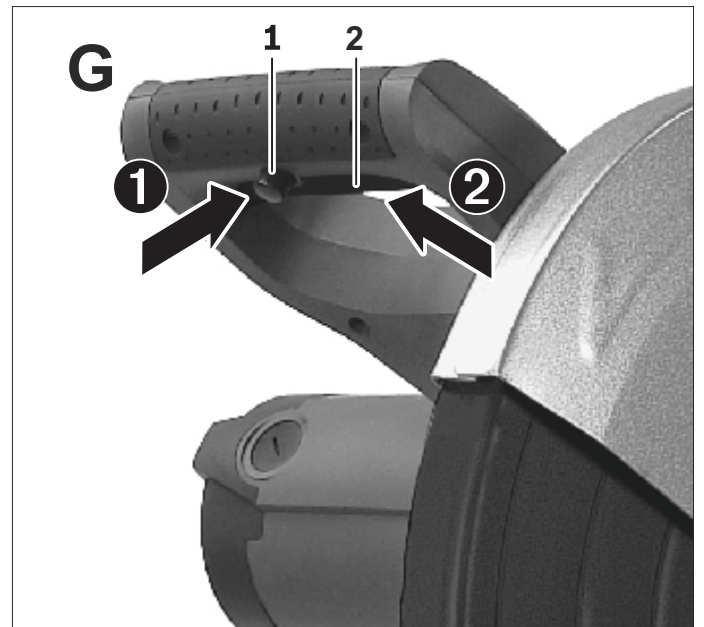
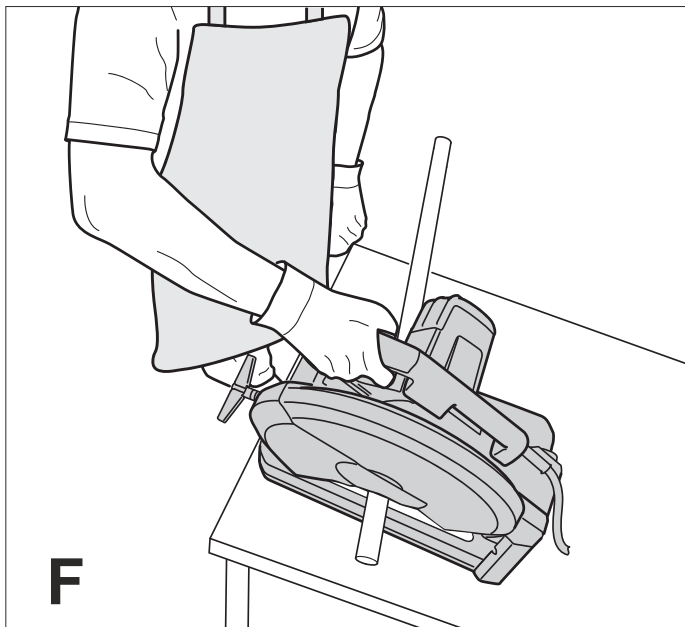
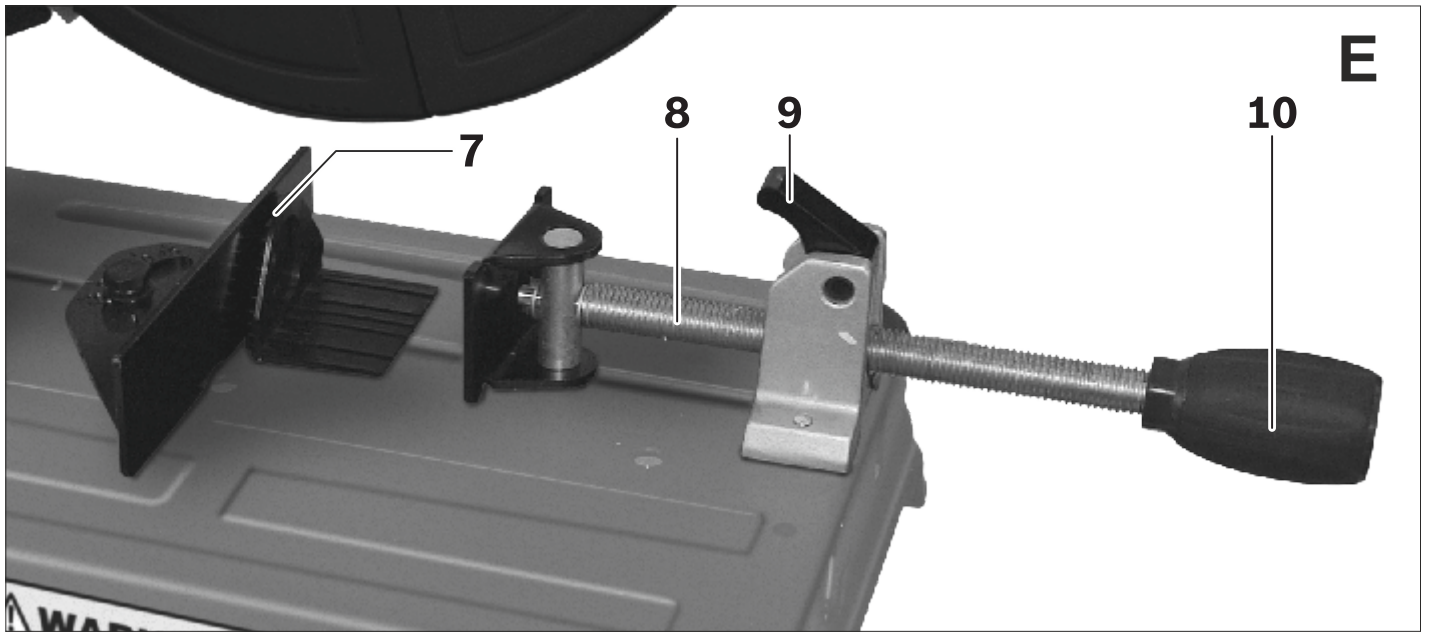
STAYER

Área Empresarial Andalucía - Sector I
Calle Sierra de Cazorla n°7
C.P: 28320 Pinto (Madrid) SPAIN
Email: sales@grupostayer.com
Email: info@grupostayer.com

A









			TV 509	TV 509 B	TV 509 C
	W		2400	2400	2500
	min ⁻¹		3800	3800	3800
	mm		Ø 355 x 3 x 25,4	Ø 355 x 3 x 25,4	Ø 355 x 3 x 25,4
	IP		II	II	II
	kg		18.2	18	19
	K=3 dB	L _{pA} dB(A)	95	97	94
		L _{WA} dB(A)	103	108	107
	K=1.5 m/s ²	a _n m/s ²	3	3	4.38

6.2 Dichiarazione di conformità CE

Il sottoscritto: **STAYER IBERICA, S.A.**

Con indirizzo a:

Calle Sierra de Cazorla, 7
Área Empresarial Andalucía - Sector 1
28320 PINTO (MADRID)
Tel.: +34 902 91 86 81 / Fax: +34 91 691 91 72

CERTIFICA

Che la macchina:

Tipo : **TRONCATRICE**

Modellos: **TV509 / TV509B / TV509C**

Noi dichiariamo sotto la nostra unica e sola responsabilità che questo prodotto si trova in conformità con le norme o i documenti normalizzati seguenti:

EN 61029-1, EN 61029-2-10, EN 55014-1, EN 55014-2, EN 61000-3-2, EN 61000-3-3 in conformità con i regolamenti 2006/42/CE, 2011/65/EU, 2014/30/EU.

Ramiro de la Fuente
Direttore generale


  **ROHS**

Gennaio 2017

The machine **TV509 / TV509B / TV509C** is intended for stationary use with cutting abrasive discs to perform lengthways and crossways straight cuts or mitre cuts to 45° in metal materials without the use of water.

This manual is consistent with the date of manufacture of your machine, you will find information on the technical data of the machine acquired manual check for updates of our machines on the website: www.grupostayer.com

1. Contents

	page
2. Specific safety instructions	20
3. Instructions for use	21
3.1 Placement Tool.....	21
3.2 Assembly.....	21
3.3 Illustrated description.....	21
4. Operating instructions	21
4.1 Placement and testing.....	21
4.2 Tool change.....	22
4.3 Operation adjustment.....	23
4.4 Limitations on the size of the workpiece.....	23
4.5 General instructions for use.....	24
5. Maintenance and service instructions	24
5.1 Cleaning.....	24
6.2 Repair service.....	24
5.3 Warranty.....	24
5.4 Disposal and recycling.....	24
6. Regulations	24
6.1 Technical Data.....	24
6.2 EU declaration of conformity.....	25

2. Specific safety instructions

Never stand on the power tool. Serious injuries could occur when the power tool tips over or when accidentally coming into contact with the cutting disc.

Always use the blade guard. A blade guard protects the user against broken off parts of the cutting disc and against accidental touching of the cutting disc.

Make sure that the guard operates properly and that it can move freely. Never lock the guard in place when opened.

Use the power tool only for dry cutting. Water penetrating into a power tool increases the risk of an electric shock.

Keep the mains cable away from rotating application tools. The mains cable can be cut through or get caught.

Keep handles dry, clean, and free from oil and grease. Greasy, oily handles are slippery causing loss of control.

Never remove cutting remainders, metal chips, etc. from the cutting area while the machine is running. Always guide the tool arm back to the neutral position first and then switch the machine off.

Guide the cutting disc against the workpiece only when the machine is switched on. Otherwise, there is danger of kickback, when the cutting disc becomes wedged in the workpiece.

Only approaching the cutting disc running against the workpiece when the disc reaches its maximum speed. After starting wait at least 4 seconds until the disk rotate at rated speed.

Always firmly clamp the workpiece. Do not cut workpieces that are too small to clamp. Otherwise, the clearance of your hand to the rotating cutting disc is too small.

If the cutting disc becomes jammed, switch the machine off and wait until the cutting disc comes to a complete stop. Never attempt to remove a still running cutting disc from the cut, otherwise there is danger of kickback. Determine and correct the cause for the jamming.

After switching off, do not stop the cutting disc by applying lateral pressure to it. The cutting disc can become damaged, break or lead to kickback.

Do not force the cutting disc into the workpiece and do not apply too much pressure when using the power tool. Particularly avoid jamming or wedging the cutting disc when working corners or sharp edges. When the cutting disc is damaged due to abuse, cracks can form that can lead to breakage without prior warning.

Wear a work apron. Pay attention that other persons are not put at risk from sparking. Remove flammable materials in close vicinity. Sparking occurs when cutting metal.

Use the cut off grinder only for cutting materials mentioned under "Intended Use". Otherwise, the cut off grinder can be subject to overload.

Do not use damaged, out-of-centre or vibrating cutting discs. Damaged cutting discs cause increased friction, binding of the cutting disc and kickback.

Always use cutting discs with correct size and shape (diamond versus round) of arbor holes. Cutting discs that do not match the mounting hardware of the cut off grinder will run eccentrically, causing loss of control.

Do not attach a saw chain woodcarving blade or toothed saw blade. Such blades create frequent kickback and loss of control over the power tool.

Observe the operating instructions of the cut-off wheel manufacturer for assembly and use of the cut-off wheel. Cut-off wheels that do not fit can lead to injury as well as to jamming, breaking or kickback.

Do not use accessories which are not specifically designed and recommended by the tool manufacturer. Just because the accessory can be attached to your power tool, it does not assure safe operation.

Do not touch the cutting disc after working before it has cooled. The cutting disc becomes very hot while working.

Check the cable regularly and have a damaged cable repaired only through an authorised customer service agent for STAYER power tools. Replace damaged extension cables. This will ensure that the safety of the power tool is maintained.

Store the machine in a safe manner when not being used. The storage location must be dry and lockable. This prevents the machine from storage damage, and from being operated by untrained persons.

Secure the workpiece. A workpiece clamped with clamping devices or in a vice is held more secure than by hand.

Never leave the machine before it has come to a complete stop. Cutting tools that are still running can cause injuries.

Never use the machine with a damaged cable. Do not touch the damaged cable and pull the mains plug when the cable is damaged while working. Damaged cables increase the risk of an electric shock.



Keep hands away from the cutting area while the machine is running. Danger of injury when coming into contact with the cutting disc.



Wear ear protectors. Exposure to noise can cause hearing loss.

Wear safety goggles.
Wear a dust respirator.



Wear protective gloves.

3. Instructions for use

3.1 Placement Tool



Read all safety warnings and all instructions. Failure to follow the warnings and instructions may result in electric shock, fire and/or serious injury.

3.2 Assembly



Avoid unintentional starting of the machine. During assembly and for all work on the machine, the power plug must not be connected to the mains supply.

Carefully remove all parts included in the delivery from their packaging. Remove all packaging material from the machine and the accessories provided.

Before starting the operation of the machine for the first time, check if all parts listed below have been supplied:

- Cut-off grinder with mounted cutting disc
- Ring spanner



Check the power tool for possible damage. Before further use of the machine, check that all protective devices are fully functional.

Any lightly damaged parts must be carefully checked to ensure flawless operation of the tool. All parts must be properly mounted and all conditions fulfilled that ensure faultless operation.

Damaged protective devices and parts must be immediately replaced by an authorised service centre.

Stationary or Flexible Mounting

To ensure safe handling, the machine must be mounted on a level and stable surface (e. g., workbench) prior to using.

Stationary mounting (see figure A)

– Fasten the power tool with suitable screw fasteners to the working surface. The mounting holes **11** serve for this purpose.

Flexible Mounting (not recommended!)

In the exceptional case that it should not be possible to firmly bench-mount the power tool, you can provisionally place the legs of base plate **12** on a suitable surface (e. g. a workbench, level floor, etc.) without bolting the machine down.

3.3 Illustrated description

- 1 Lock-off button for On/Off switch
- 2 On/Off switch
- 3 Handle
- 4 Retracting blade guard
- 5 Spindle lock
- 6 Cutting disc
- 7 Top of workpiece support
- 8 Clamping spindle
- 9 Quick-release button
- 10 Spindle handle
- 11 Mounting holes
- 12 Based machine bed
- 13 Locking screw for angle stop
- 14 Ring spanner (15 mm; 13 mm)*
- 15 Transport safety-lock*
- 16 Depth stop cutting
- 17 Tool arm
- 18 Transport handle
- 19 Carter disk
- 20 Spark guard
- 21 Tool spindle
- 22 Clamping flange
- 23 Washer
- 24 Bolt
- 25 Lock nut of the depth stop
- 26 Arrow disc guide
- 27 Thumbscrew
- 28 Protective Cover Flangia

*Accessories shown or described are not part of the standard delivery scope of the product. A complete overview of accessories can be found in our accessories program.

4. Operating instructions

4.1 Placement and testing

Observe correct mains voltage! The voltage of the

power source must agree with the voltage specified on the nameplate of the machine. Power tools marked with 230 V can also be operated with 220 V.

Check the cutting disc 6 before using. The cutting disc must be properly mounted and must rotate freely. Carry out a 30 second (min.) test run with no load. Do not use damaged, out-of-centre or vibrating cutting discs. Damaged cutting discs 6 can burst and cause injuries.

Dusts from materials such lead-containing coatings, minerals and metal can be harmful to one's health. Contact with or inhaling the dusts can trigger allergic reactions to the operator or bystanders and/or lead to respiratory infections.

Certain metal dusts are considered hazardous, especially in conjunction with alloys such as zinc, aluminium or chromium. Materials containing asbestos may only be worked by specialists.

- Provide for good ventilation of the working place.
- It is recommended to wear a P2 filter-class respirator.

Observe the relevant regulations in your country for the materials to be worked.

The blade 6 can be blocked by dust, chips or workpiece fragments in the slot of the bed 12.

- Switch the machine off and pull the mains plug from the socket outlet.
- Wait until the cutting disc 6 has come to a complete stop.
- Tilt the machine toward the rear, so that small workpiece fragments can fall out of the opening intended for this purpose.

If required, use a suitable tool to remove all workpiece fragments.



Prevent dust accumulation at the workplace. Dusts can easily ignite.

Position of the Operator (see figure F)

Do not stand in a line with the cutting disc 6 in front of the machine. Always stand aside of the cutting disc . This measure provides for better protection of your body against possible splinters in case of cutting disc breakage.

Switching On and Off (see figure G)

To start the machine, firstly press the lockoff button 1. Then press the On/Off switch 2 and keep it pressed.



For safety reasons, the On/Off switch 2 cannot be locked; it must remain pressed during the entire operation.

To **switch off** the machine, release the On/Off switch 2.

Soft starting

The electronic soft starting feature limits the torque upon switching on and increases the working life of the motor.

4.2 Tool change

Before any work on the machine itself, pull the mains plug.

Actuate the spindle lock 5 only when the tool spindle 21 is stopped. Otherwise, the machine can become damaged.

Do not touch the cutting disc 6 after working before it has cooled. The cutting disc 6 becomes very hot while working.

Use only cutting discs 6 that have an equal or higher maximal allowable speed than the no-load speed of your power tool.

Use only cutting discs 6 that correspond to the characteristic data given in these operating instructions and are checked according to **EN 12413** and marked appropriately.

Place unused cutting discs 6 in an enclosed container or in the original packaging. Store cutting discs 6 lying flat.

Removing the Cutting Disc (Fig. B1 - B2)

- Bring the power tool into the working position.
- Loosen the thumbscrew, to move the cap.
- Swing back the retracting blade guard 4 to the stop.
- Turn hexagon bolt 24 with the provided ring spanner 14 and at the same time press the spindle lock 5 until it engages.

Advice. Alternatively lock the spindle 5, with a piece of wood at the angle stop 7 and lock the disc 6, to proceed to remove the disc.

- Hold the spindle lock pressed 5 and unscrew the hexagon bolt 24.
- Remove the washer 23 and the clamping flange 22.
- Remove the cutting disc 6.

Installing the Cutting Disc

If required, clean all parts to be mounted prior to assembly.

- Mount the cutting disc on the spindle 6 new tool holder 21 making sure that the direction of the disk according to arrow 26.
- Mount the clamping flange 22, the washer 23 and the hexagon bolt 24.
Press spindle lock 5 until it engages and tighten hexagon bolt 24 with the provided ring spanner.
- Slowly guide the retracting blade guard 4 down until the cutting disc 6 is covered off.
- Make sure that the retracting blade guard 4 operates properly.
- Place the protective cap Flangia 28 and tighten the thumbscrew 27.

After mounting the cutting disc 6 and before switching on, check whether the cutting disc is properly mounted and if it can rotate freely. Get oriented by the arrow 26.

- Make sure that the cutting disc 6 does not graze against the retracting blade guard 4, the blade guard 19 or against other parts.

- Run the machine for approx. 60 seconds. Should significant vibrations occur, switch off the machine immediately; remove and install the cutting disc **6** again.

4.3 Operation adjustment.

⚠ Before any work on the machine itself, pull the mains plug.

Transport Safety (see figure C)

The transport safety-lock **15** enables easier handling of the machine when transporting to various working locations.

Releasing the Machine (Working Position)

- Push the tool arm by the handle **3** down a little in order to relieve the transport safetylock **15**.
- Pull the transport safety-lock **15** completely outward.
- Guide the tool arm slowly upward.

⚠ When working, pay attention that the transport safety-lock is not pushed inwards. Otherwise, the tool arm cannot be lowered to the requested depth.

Securing the Machine (Transport Position)

- Guide the tool arm **17** downward until the transport safety-lock **15** can be pushed completely inward **16**.

Transport

- Always carry the power tool by its transport handle **18**.

⚠ When transporting the power tool, use only the transport devices and never use the protective devices.

Adjusting the Cutting Angle (see figure D)

The miter angle can be set in a range from -15° to +45°. Frequently used mitre angles are identified on the angle stop **7** with appropriate markings. The -15° and 45° position are set at the respective end stop.

- Loosen the locking screws **13** for the angle stop with the supplied ring spanner **14**.
- Adjust the desired angle and firmly tighten both locking screws **13** again.

Displacing the Angle Stop (see figure D)

When cutting workpieces wider than 130 mm, the angle stop **7** can be displaced to the rear.

- Completely unscrew locking screws **13** with the supplied ring spanner **14**.
- Move the angle stop **7** toward the rear by one or two holes to the desired clearance.
- Adjust the desired angle and firmly tighten both locking screws **13** again.

Clamping the Workpiece (see figure E)

To ensure optimum working safety, the workpiece must always be firmly clamped. Do not saw workpieces that are too small to clamp. Long workpieces must be underlaid or supported at their free end.

- To first approximation the fast thread **9** lift and push the spindle. Lower **9** for tightening
- Place the workpiece against the angle stop **7**.
- Slide the clamping spindle **8** against the workpiece and firmly clamp the workpiece with the spindle handle **10**.

Loosening the Workpiece

- Loosen the spindle handle **10**.
- Tilt up the quick release **9** and pull the clamping spindle **8** away from the workpiece.

Adjusting the Depth Stop (see figure H)

In the delivery condition of the machine, the depth stop **16** is adjusted in such a manner that a new 355 mm cutting disc **6** does not touch the base plate **12** when cutting. To compensate the wear of the cutting disc **6**, the depth stop **16** can be set deeper. When using a new cutting disc **6**, the depth stop **16** must then always be set back to the original position.

⚠ Always adjust the depth stop 16 in such a manner that the cutting disc 6 does not touch the base plate 12 when cutting.

- Bring the power tool into the working position. (see “Releasing the Machine (Working Position)”)
- Loosen lock nut **25** with the spanner.
- Swing the tool arm with the handle **3** to the requested position.
- Screw the depth stop **16** in clockwise or anticlockwise direction until the screw head touches the housing.
- Slowly guide the tool arm upward and tighten the lock nut **25**.

Cutting capacity, max. (0°/0°): 140 mm

Cutting Metal

- Set the desired mitre angle.
- Firmly clamp the workpiece as appropriate for its dimensions.
- Switch on the machine.
- Slowly guide the tool arm downward with the handle **3**.
- Cut the workpiece applying uniform feed.
- Switch the machine off and wait until the cutting disc comes to a complete stop.
- Guide the tool arm slowly upward.




4.4 Limitations on the size of the workpiece

Dimensions of suitable cutting discs

Cutting disc diameter, max.	mm	355
Cutting discs width, max.	mm	3
Mounting hole diameter	mm	25,4

Permissible Workpiece Dimensions

Maximal workpiece sizes:

Workpiece Form	TV509 Mitre/Bevel Angle		TV509B Mitre/Bevel Angle		TV509C Mitre/Bevel Angle	
	0°	45°	0°	45°	0°	45°
	130 Ø	90 Ø	140 Ø	110 Ø	120 Ø	80 Ø
	120 x 120	80 x 80	130 x 130	100 x 100	105 x 105	50 x 50
	210 x 60	85 x 70	254 x 73	105 x 85	130 x 90	80 x 50

Minimal workpiece sizes (= all workpieces that can be clamped via the clamping spindle **8): Length 80 mm**

4.5 General instructions for use

Cutting Operation

- Wait for the drive to reach its maximum speed (about 4 sec)

Do not touch the cutting disc 6 after working before it has cooled. The cutting disc becomes very hot while working.

Make sure that the spark guard 20 is properly mounted. Sparking occurs when cutting metal.

Protect the cutting disc 6 against impact, shock and grease. Do not subject the cutting disc 6 to lateral pressure. Do not strain the power tool so heavily that it comes to a standstill.

Excessive feed considerably reduces the performance capability of the machine and shortens the service life of the cutting disc.

Use only cutting discs that are suitable for the material to be worked.

5. Maintenance and service instructions

5.1 Cleaning

Before any work on the machine itself, pull the mains plug.

Clean the ventilation slots of your power tool regularly with a soft brush. The motor fan draws dust into the housing, and a large accumulation of metal dust can lead to electrical hazards.

In extreme conditions, always use dust extraction as far as possible. Blow out ventilation slots frequently and install a residual current device (RCD). When working metals, conductive dust can settle in the interior of the power tool. The total insulation of the power tool can be impaired.

Have maintenance and repair work performed only by qualified specialists. In this manner, it can be ensured that the safety of the power tool is maintained.

The retracting blade guard must always be able to move freely and retract automatically. Therefore, always keep the area around the retracting blade guard clean.

If the machine should fail despite the care taken in manufacturing and testing procedures, repair should be carried out by an after-sales service centre for **STAYER** power tools.

5.2 Repair service

Our after-sales service responds to your questions concerning maintenance and repair of your product as well as spare parts. Exploded views and information on spare parts can also be found under:
info@grupostayer.com

Our customer consultants answer your questions concerning best buy, application and adjustment of products and accessories.

5.3 Warranty

Warranty card

Included in the documentation that accompanies this equipment, you should find the warranty card. You should fill out the card completely and return to vendor with a copy of purchasing receipt or invoice and you should receive a receipt.

Note: If you cannot find the warranty card within the documentation, you must ask for it through your supplier.

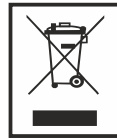
The warranty is limited only to manufacturing defects and expire if pieces have been removed or manipulated or repaired other than the manufacturer.

5.4 Disposal and recycling

The machine, accessories and packaging should be sorted for environmental-friendly recycling.

Only for EC countries:

Do not dispose of power tools into household waste!



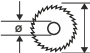





According the European Guideline 2002/96/EC for Waste Electrical and Electronic Equipment and its implementation into national right, power tools that are no longer usable must be collected separately and disposed of in an environmentally correct manner.

Subject to change without notice.

6. Regulations

6.1 Technical Data

	= Power input
	= No load speed
	= Disc dimension
	= Protection class
	= Weight
L_{WA}	= Sound power level
L_{pA}	= Sound pressure level
	= Vibration

The values given are valid for nominal voltages [U] 230/240 V ~ 50/60 Hz - 110/120 V ~ 60Hz. For lower voltage and models for specific countries, these values can vary. Please observe the article number on the type plate of your machine. The trade names of the individual machines may vary.

Noise/Vibration Information

Measured sound values determined according to EN 61029. Typically the A-weighted noise levels of the product are: Sound pressure level 97 dB(A); Sound power level 108 dB(A). Uncertainty K=3 dB.

Wear hearing protection!



Vibration total values (triax vector sum) determined according to EN 61029:

Vibration emission value $a_n = 3.0 \text{ m/s}^2$, Uncertainty $K = 1.5 \text{ m/s}^2$.

The vibration emission level given in this information sheet has been measured in accordance with a standardised test given in EN 61029 and may be used to compare one tool with another. It may be used for a preliminary assessment of exposure.

The declared vibration emission level represents the main applications of the tool. However if the tool is used for different applications, with different accessories or poorly maintained, the vibration emission may differ. This may significantly increase the exposure level over the total working period.

An estimation of the level of exposure to vibration should also take into account the times when the tool is switched off or when it is running but not actually doing the job. This may significantly reduce the exposure level over the total working period.

Identify additional safety measures to protect the operator from the effects of vibration such as: maintain the tool and the accessories, keep the hands warm, organisation of work patterns.

6.2 EU declaration of conformity

The undersigned: **STAYER IBERICA, S.A.**

With address at:

Calle Sierra de Cazorra, 7
Área Empresarial Andalucía - Sector 1
28320 PINTO (MADRID)
Tel.: +34 902 91 86 81 / Fax: +34 91 691 91 72

CERTIFIES

That the machine:

Type: **CUT´OFF AND MITRE SAW**
Models: **TV509 / TV509B / TV509C**

We declare under our sole responsibility that this product is in conformity with the following standards or standardized documents: EN 61029-1, EN 61029-2-10, EN 55014-1, EN 55014-2, EN 61000-3-2, EN 61000-3-3 according to EU Regulations 2006/42/CE, 2011/65/EU, 2014/30/EU.

Ramiro de la Fuente
Managing Director



CE  **ROHS**

January, 2017



STAYER

Área Empresarial Andalucía - Sector I
Calle Sierra de Cazorla nº7
C.P: 28320 Pinto (Madrid) SPAIN
Email: sales@grupostayer.com
Email: info@grupostayer.com



www.grupostayer.com