



# STAYER

**ES** Manual de instrucciones

**IT** Istruzioni d'uso

**GB** Operating instructions

**FR** Instructions d'emploi

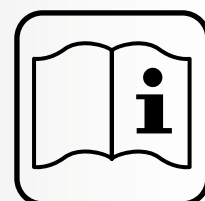
**DE** Bedienungsanleitung

**PL** Instrukcja obsługi

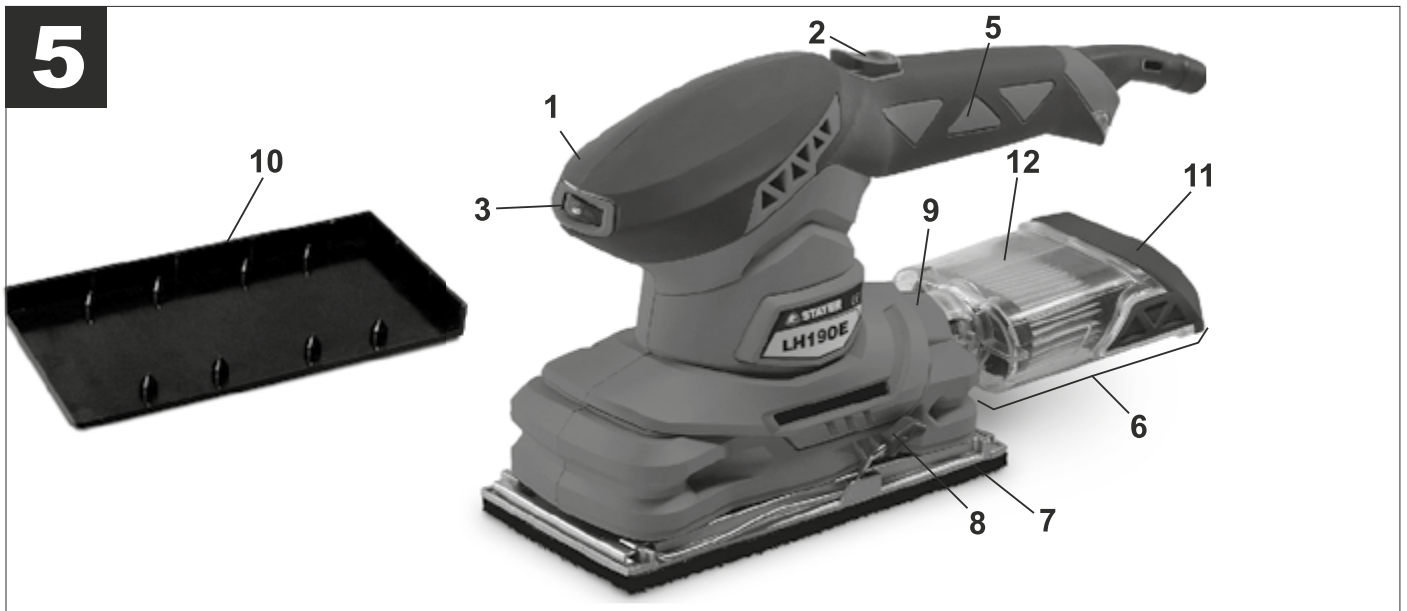
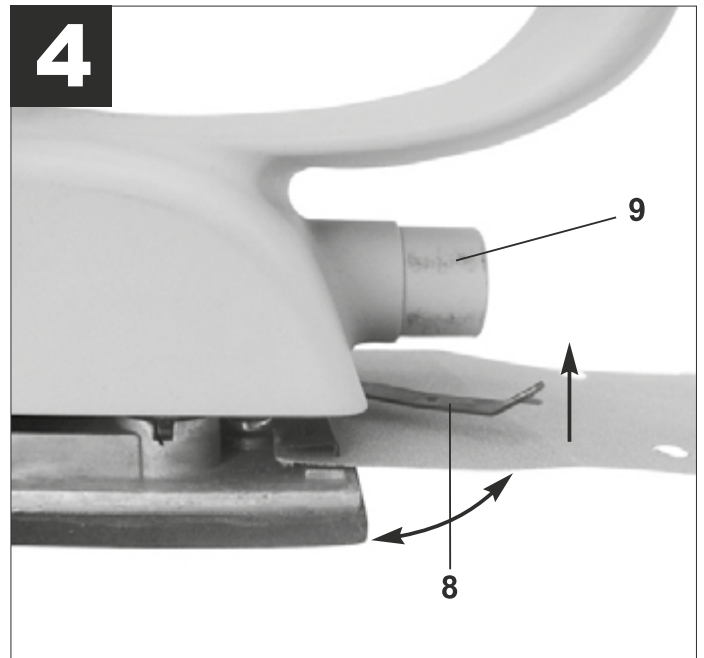
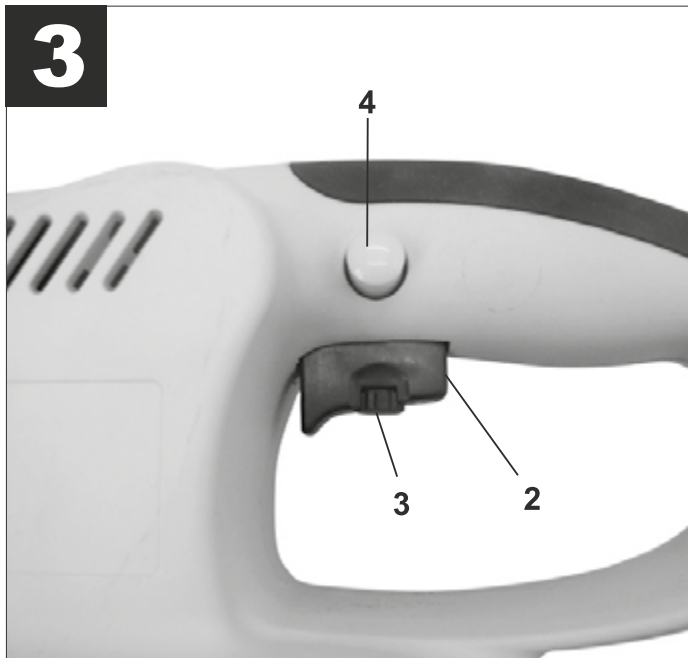
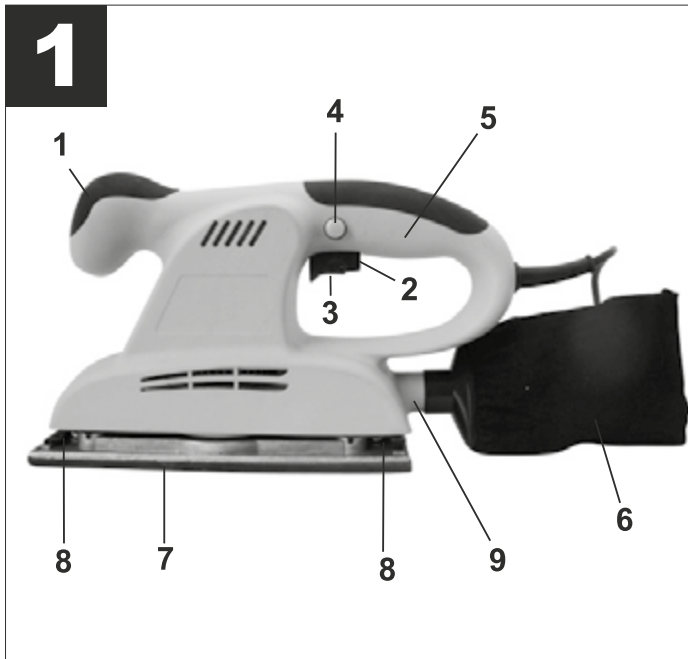
**LH187C**  
**LH190E**  
**LH227E**  
**LR125E**  
**LR125BE**  
**LD141**

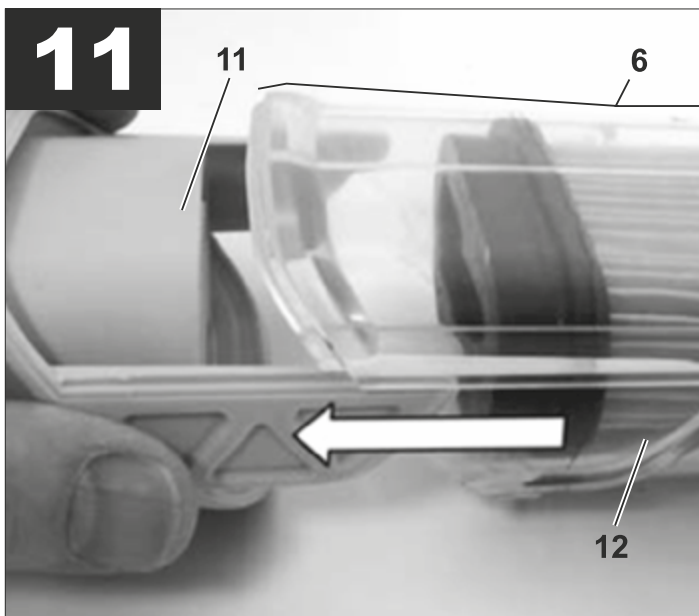
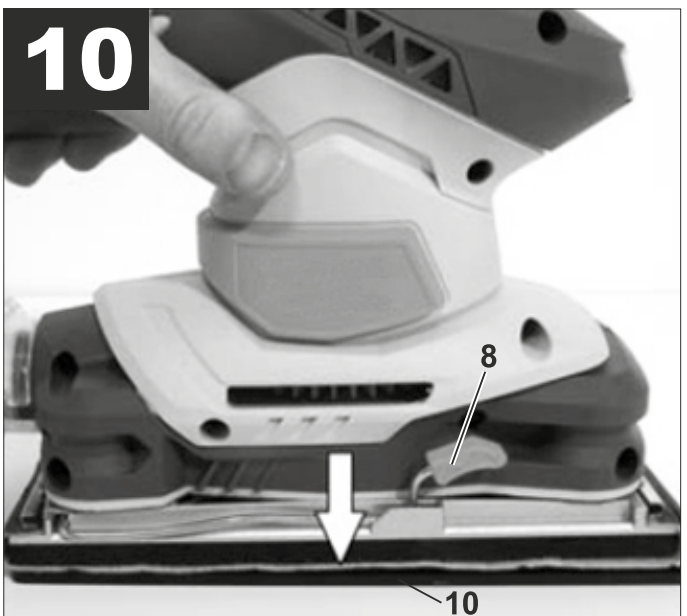
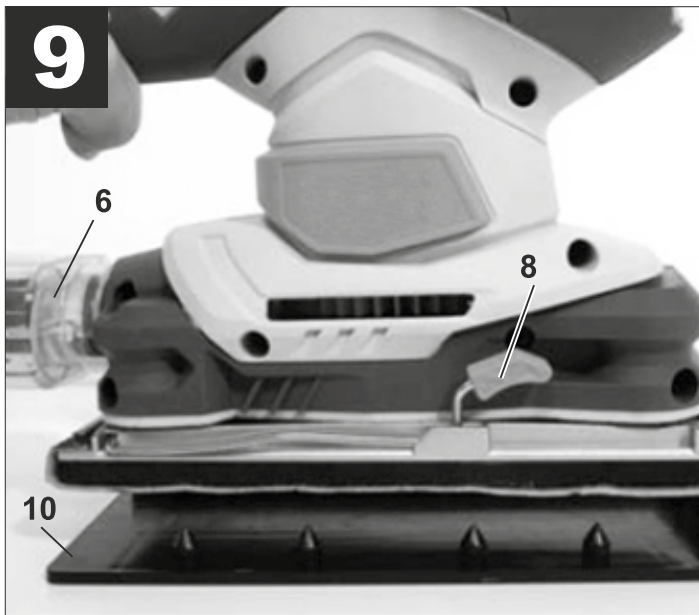
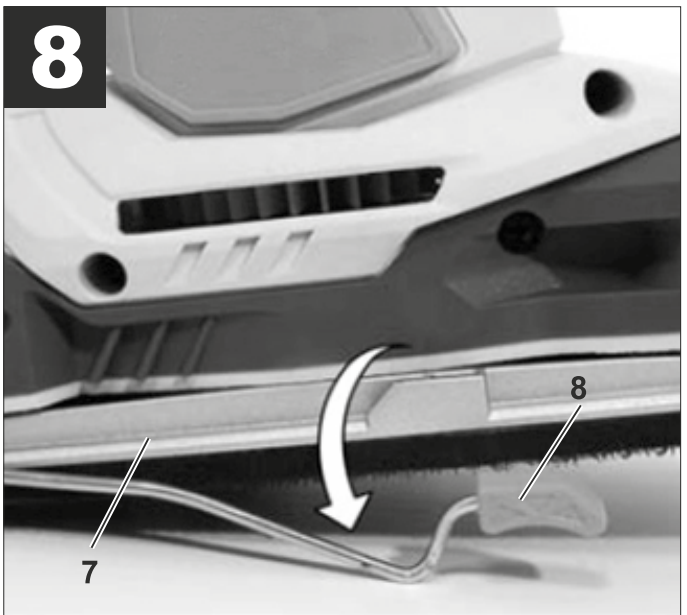
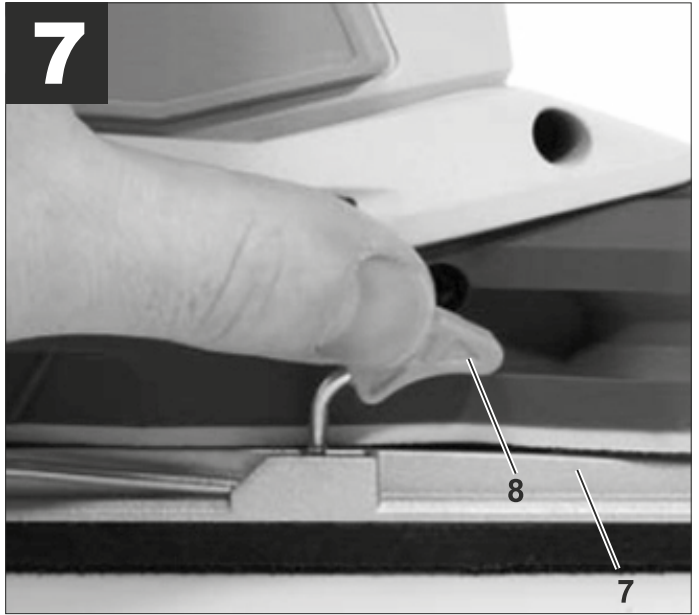
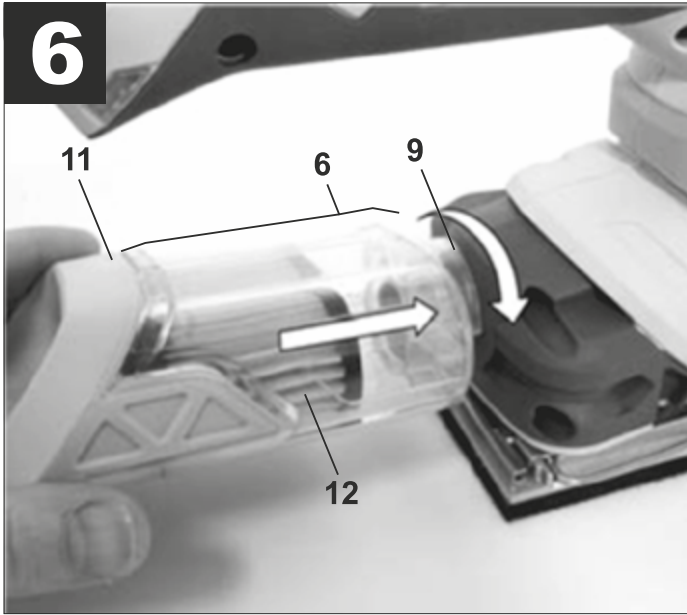


Área Empresarial Andalucía - Sector 1  
C/ Sierra de Cazorla, 7  
28320 - Pinto (Madrid) SPAIN  
Email: sales@grupostayer.com  
Email: info@grupostayer.com



[www.grupostayer.com](http://www.grupostayer.com)





		LH227E	LR125E	LR125BE	LD141
$P_1$	w	280	420	300	180
$n_0$	min <sup>-1</sup>	0 - 12000	0 - 12000	12000	13000
$\varnothing$	mm	0.8	1.25	1.2	-
	mm	227 x 115	$\varnothing$ 125	$\varnothing$ 125	140 x 140 x 80
	kg	2.1	2	1.6	0.9
	$L_{pA}$ dB(A)	78	80	81	76
	$L_{WA}$ dB(A)	88	91	91	85
	$a_{hw}$ m/s <sup>2</sup>	4.6	3.1	4	4.2

		LH187C	LH190E
$P_1$	w	150	250
$n_0$	min <sup>-1</sup>	12000	6000-14000
$\varnothing$	mm	2	0.8
	mm	90x187	187 x 92
	kg	1.2	1.9
	$L_{pA}$ dB(A)	84	86.6
	$L_{WA}$ dB(A)	98	97.6
	$a_{hw}$ m/s <sup>2</sup>	4.5	9.2

**EN60745, K = 3dB ( $L_{pA}$ ,  $L_{WA}$ ) K = 1,5 m/s<sup>2</sup> ( $a_h$ )**

This manual is consistent with the date of manufacture of your machine, you will find information on the technical data of the machine acquired manual check for updates of our machines on the website:

**www.grupostayer.com**

The machine is intended for dry sanding and polishing of wood, plastic, metal, filler, as well as for painted surfaces. It is especially suitable for profiles, corners or hard to reach locations. Please refer to the booklet included in delivery for the safety instructions.

### Machine-specific Safety Warnings

**Use the machine only for dry sanding.** Penetration of water into the machine increases the risk of an electric shock.



**Caution, fire hazard! Avoid overheating the object being sanded as well as the sander. Always empty the dust collector before taking breaks.**

In unfavourable conditions, e. g., when sparks emit from sanding metals, sanding debris in the dust bag, micro filter or paper sack (or in the filter sack or filter of the vacuum cleaner) can self-ignite. Particularly when mixed with remainders of varnish, polyurethane or other chemical materials and when the sanding debris is hot after long periods of working.

- **Secure the workpiece.** A workpiece clamped with clamping devices or in a vice is held more secure than by hand.
- **Keep your workplace clean.** Blends of materials are particularly dangerous. Dust from light alloys can burn or explode.
- **Never use the machine with a damaged cable. Do not touch the damaged cable and pull the mains plug when the cable is damaged while working.** Damaged cables increase the risk of an electric shock.

### Functional Description



**Read all safety warnings and all instructions.**

Failure to follow the warnings and instructions may result in electric shock, fire and/or serious injury.

**Please read the operating instructions carefully before assembling and using.**

### Assembly

Fitting the dust bag (Fig. 2)

Fit the dust bag **6**, in the vacuum intake **9**.

**Important!** For health safety reasons it is imperative that you use a dust bag.

### Assembly the dust collector box (LH190E fig.5)

Place the dust box **6** in the vacuum intake **9**.

- Making the notches fit into the hopper **6**.
- Proceed to rotate in clockwise direction, until it locks.
- To remove the hopper **6**, rotate counterclockwise and pull out.

### Fastening the sanding/grinding paper (Fig. 4-6-7-8).



**First disconnect the power plug.**

- Release the latches **8** on both sides.
- Place the abrasive sanding/grinding sheet outward the sanding plate
- Place the sanding/grinding sheet edge on the top of the sanding plate **7** and fasten the front retainer **8 (LH190E)**.
- Attach sheet sanding/grinding to sanding plate **7**. Sure it is taut.
- Finish attaching the sanding/grinding sheet to the back retainer **8. (Fig. 4, 7-8)**.
- Make sure the holes in the sanding/grinding sheet match the sanding plate **7** for a perfect vacuum.

### Punch plate (LH190E, Fig. 9)

It has been provided a punch plate **10** to make holes in the sandpaper.

- The holes should be lined up with the holes in the sander base **7**.
- Should be placed, as indicated before, the sanding/grinding sheet.
- Then put the punch plate **10** on a stable level surface, and proceed to place the sanding plate **7** with the sanding sheet and placed within the punch plate, making a little pressure down to punch correctly.

### Functions description (Fig.1)

1. Front handle
2. ON / OFF switch
3. Speed control\*
4. Locking knob
5. Main handle
6. Dust bag/dust collection box (LH190E)
7. Sanding Plate
8. Sandpaper holding retainer
9. Vacuum intake
10. Plate punch sandpaper. (LH190E)
11. Cover dust box.
12. Hepa Filter dust.

**\*The accessories are optional and do not correspond to the standard included material.**

### Placement and Testing

ON/OFF switch (Fig. 3)

To switch on: Press switch **2**

Continuous operation: Secure switch **2** with locking knob **4**.

To switch off: Briefly hold down switch **2**. You can preselect the speed by turning the knurled screw in switch **2**.

**LH190 E:** Move forward switch **2** for fixed nestled operation. Move backwards to stop.



## Tool change

Carbon brushes

- In case of excessive sparking, have the carbon brushes checked only by a qualified electrician. Important! The carbon brushes should not be replaced by anyone but a qualified electrician.

## Cleaning, maintenance and ordering of spare parts

Always pull out the mains power plug before starting any cleaning work.

### Only LH190E (Fig. 11)

Remove the lid 11 of the collector box 6 and both the filter and shake dust box for cleaning. Figure 11

Regularly clean the ventilation slots.

Do not use abrasive cleaners on the plastic housing.

Keep openings free of dust extraction dirt or other obstructions.

Water must never come into contact with the filter. You can use compressed air. Blow first from the inside.

## Cleaning

- Keep all safety devices, air vents and the motor housing free of dirt and dust as far as possible. Wipe the equipment with a clean cloth or blow it with compressed air at low pressure.
- We recommend that you clean the tool immediately after you use it.
- Clean the equipment regularly with a moist cloth and some soft soap. Do not use cleaning agents or solvents; these may be aggressive to the tool's plastic parts. Ensure that no water can get into the interior of the tool.

## Repair service

The technical service will provide you advice regarding questions you may have on the repair and maintenance of your product as well as on spare parts.

You may also obtain exploded views and information on spare parts on the internet under:

[info@grupostayer.com](mailto:info@grupostayer.com)

## Disposal and recycling

The machine, accessories and packaging should be sorted for environmental-friendly recycling.

Only for EC countries:

### Do not dispose of power tools into household waste!



According to the European Guideline 2002/96/EC for Waste Electrical and Electronic Equipment and its implementation into national right, power tools that are no longer usable must be collected separately and disposed of in an environmentally correct manner.

Subject to change without notice.

## Legal Regulations

### Technical features

$P_1$  = Power input

$n_0$  = Spinning speed

$\emptyset$  = Displacement of the orbit

= Sanding plate

= Mass

$L_{WA}$  = Acoustic power level

$L_{pA}$  = Acoustic pressure level

= Vibration

The values given are valid for nominal voltages [U] 230/240 V ~ 50/60 Hz - 110/120 V ~ 60Hz. For lower voltage and models for specific countries, these values can vary. Please observe the article number on the type plate of your machine. The trade names of the individual machines may vary.

## Declaration of Conformity $\text{CE}$

We declare under sole responsibility that this product is in conformity with the following standards or standardisation documents: EN60745-1, EN60745-2-3, EN55014-1, EN55014-2, EN61000-3-2, EN61000-3-3, according to the provisions of the directives 2006/42/CE, 2014/30/EU.

Ramiro de la Fuente  
Director Manager

$\text{CE}$   $\text{ROHS}$

January 5, 2017



**STAYER**

Área Empresarial Andalucía - Sector 1  
C/ Sierra de Cazorla, 7  
28320 - Pinto (Madrid) SPAIN  
Email: [sales@grupostayer.com](mailto:sales@grupostayer.com)  
Email: [info@grupostayer.com](mailto:info@grupostayer.com)



[www.grupostayer.com](http://www.grupostayer.com)