



STAYER

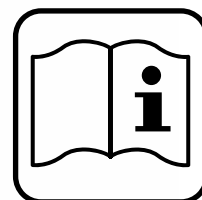
- ES** Manual de instrucciones
- IT** Istruzioni d'uso
- GB** Operating instructions
- DE** Bedienungsanleitung
- FR** Instructions d'emploi
- P** Manual de instruções
- TR** Kullanma Kilavuzu

ISL122K

ISL18

ISL222K

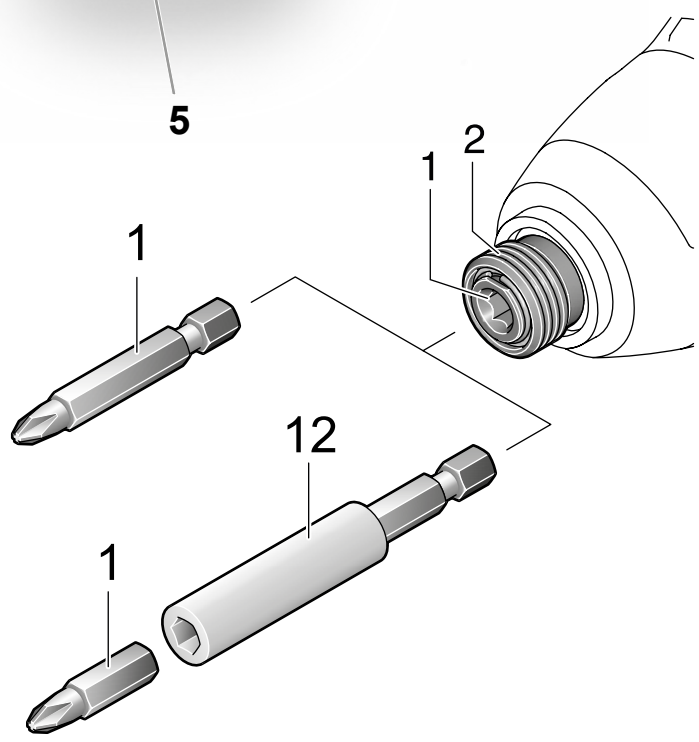
ISL224K

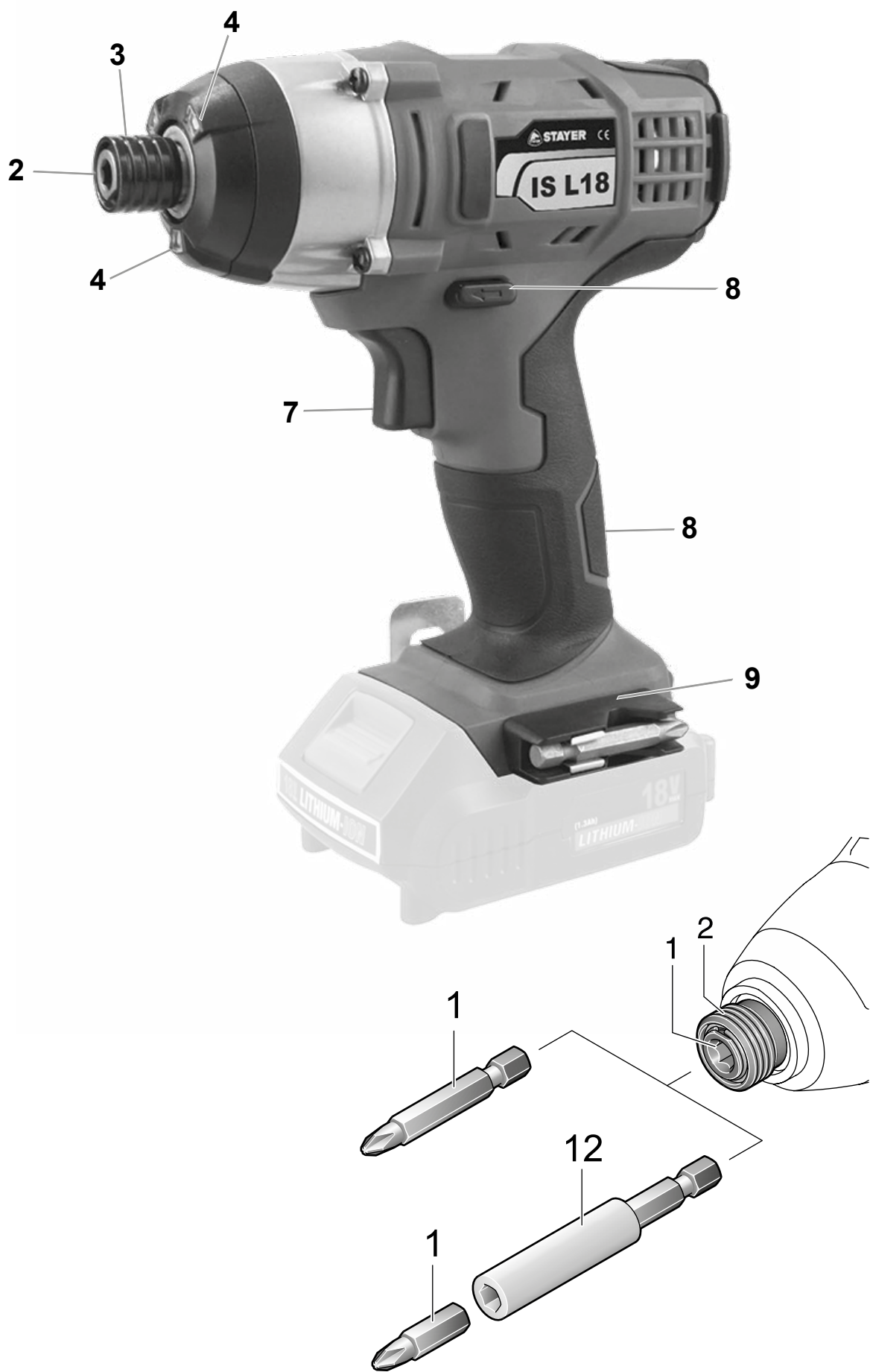


STAYER

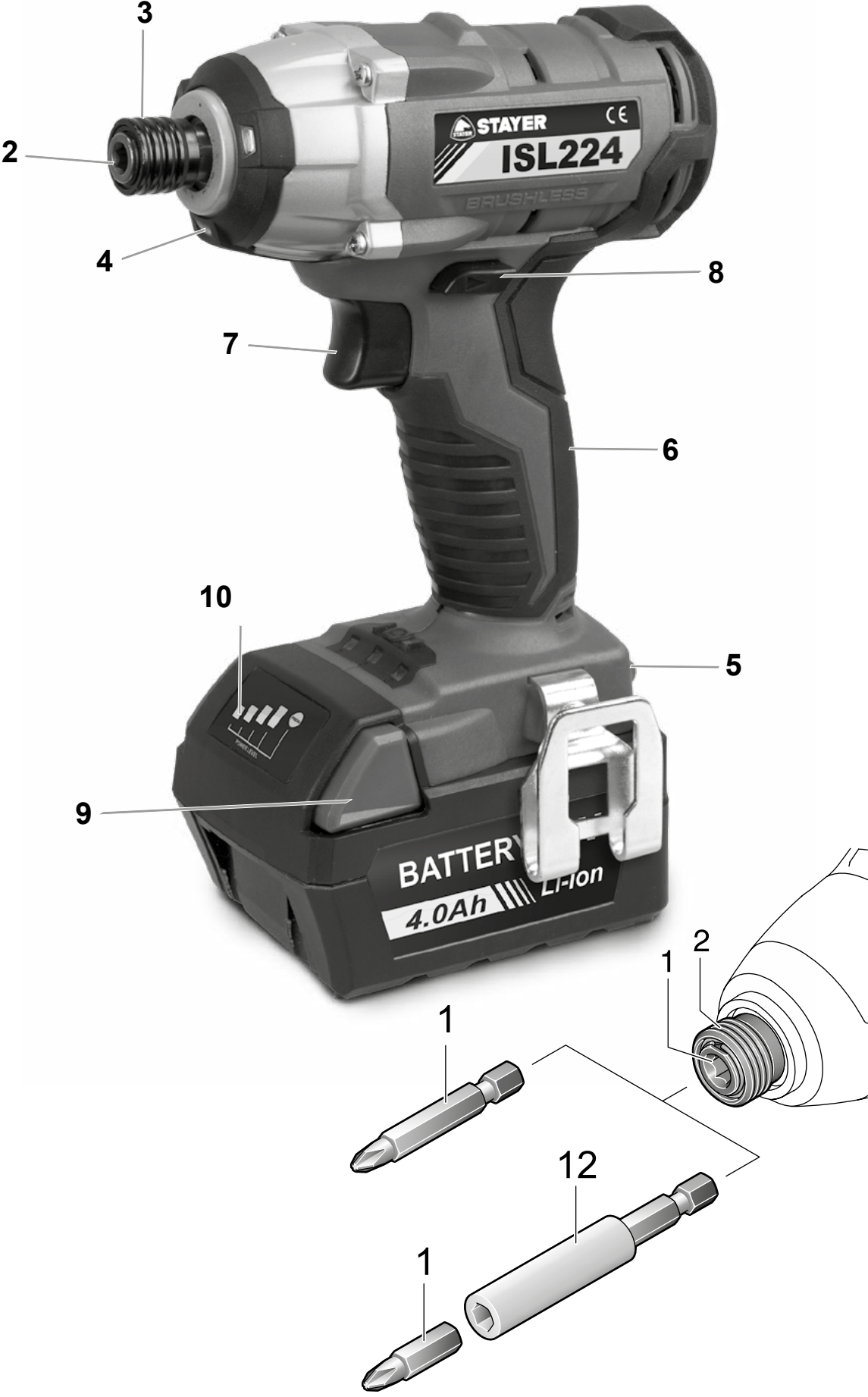
Área Empresarial Andalucía - Sector 1
C/ Sierra de Cazorla, 7
28320 - Pinto (Madrid) SPAIN
Email: sales@grupostayer.com
Email: info@grupostayer.com

www.grupostayer.com





ISL222K / ISL224K









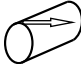
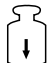


ISL122 K



ISL222K / ISL224K





		ISL 122 K	IS L18	ISL222K - 224K
		2 x Li-Ion	-	2x Li-ion
	Vdc	12	18	18
	Ah	2.0	2.0 / 4.0	2.0 / 4.0
	min	45	60 - 90	60
	$n_0 \text{ min}^{-1}$	0 - 2400	0 - 2000	0-800/ 0-1800 / 0-2500
	min^{-1}	0-3000	0-3000	0-1100/ 0-2500 / 0-3500
	Nm	90	150	180
Ins	UNF	1/4" F	1/4" F	1/4" F
	kg	0.9	0.9	1.6
	$L_{pA} \text{ dB(A)}$	87	87	87
	$L_{WA} \text{ dB(A)}$	98	98	98
	m/s^2	< 2,5	< 2,5	< 2,5

EN60745, K = 3dB (L_{pA} , L_{WA}) K = 1,5 m/s^2 (a_h)

Power tools **ISL122K - IS L18 - ISL222K - ISL224K** are designed for tightening and loosening screws, for drilling in wood, metal, ceramic and plastic, and impact drilling in brick, concrete and stone.

1. Contents

	page
2. Specific safety instructions	13
3. Instructions for use	13
3.1 Placement Tool.....	13
3.2 Assembly.....	13
3.3 Electrical connection.....	13
3.4 Illustrated description.....	13
4. Operating instructions	14
4.1 Placement and testing.....	14
4.2 Tool change.....	14
5. Maintenance and service instructions	14
5.1 Cleaning.....	14
5.2 Repair service.....	14
5.3 Warranty.....	15
5.4 Disposal and recycling.....	15
6. Regulations	15
6.1 Technical Data.....	15
6.2 EU declaration of conformity.....	15

2. Specific safety instructions

- **Hold power tool by insulated gripping surfaces, when performing an operation where the fastener may contact hidden wiring.** Fasteners contacting a "live" wire may make exposed metal parts of the power tool "live" and could give the operator an electric shock.

- **Secure the workpiece.** A workpiece clamped with clamping devices or in a vice is held more secure than by hand.

- **Always wait until the machine has come to a complete stop before placing it down.** The tool insert can jam and lead to loss of control over the power tool.

- **Do not open the battery. Danger of short-circuiting.**



Protect the battery against heat, e. g., against continuous intense sunlight, fire, water, and moisture. Danger of explosion.

- **In case of damage and improper use of the battery, vapours may be emitted. Provide for fresh air and seek medical help in case of complaints.** The vapours can irritate the respiratory system.

- **Use the battery only in conjunction with your STAYER power tool.** This measure alone protects the battery against dangerous overload.

Use only original STAYER batteries with the voltage listed on the nameplate of your power tool. When using other batteries, e. g. imitations, reconditioned batteries or other brands, there is danger of injury as well as property damage through exploding batteries.

3. Instructions for use

3.1 Placement Tool



Read all safety warnings and all instructions. Failure to follow the warnings and instructions may result in electric shock, fire and/or serious injury.

3.2 Assembly



Do not continue to press the On/Off switch after the machine has been automatically switched off.

The battery can be damaged.

To remove the battery **5** press the unlocking buttons **9** and pull out the battery downwards. Do not exert any force. The battery is equipped with a temperature control which allows charging only within a temperature range of between 0 °C and 45 °C. A long battery service life is achieved in this manner. Observe the notes for disposal.

3.3 Electrical connection

Battery Charging

Use only the battery chargers listed on the accessories page. Only these battery chargers are matched to the lithium ion battery of your power tool.



The battery is supplied partially charged. To ensure full capacity of the battery, completely charge the battery in the battery charger before using your power tool for the first time.

The lithium-ion battery can be charged at any time without reducing its service life. Interrupting the charging procedure does not damage the battery.

The lithium-ion battery is protected against deep discharging. When the battery is empty, the machine is switched off by means of a protective circuit: The inserted tool no longer rotates.

Charge status indicator

The charging status indicator **10** of the magazine, is composed of two **LEDs**:

Green: Displayed when the battery is charged.

Red: Displayed when the battery is charging.

Temperature Dependent Overload Protection

When using as intended for, the power tool cannot be subject to overload. When the load is too high or the allowable battery temperature range of 0–50 °C is exceeded, the speed is reduced. The power tool will not run at full speed until reaching the allowable battery temperature.

3.4 Illustrated description

- 1 Screwdriver bit
- 2 Tool holder
- 3 Locking sleeve
- 4 Bulb
- 5 Battery

- 6 Handle
- 7 On/Off switch
- 8 Rotational direction switch
- 9 Battery unlocking button
- 10 Battery charge-control indicator
- 11 Charger
- 12 Universal bit holder

4. Operating instructions

Method of Operation

The tool holder 2 with the tool is driven by an electric motor via a gear and impact mechanism.

The working procedure is divided into two phases: Screwing in and tightening (impact mechanism in action).

The impact mechanism is activated as soon as the screwed connection runs tight and thus load is put on the motor. In this instance, the impact mechanism converts the power of the motor to steady rotary impacts. Loosening screws or nuts, the process is reversed.

4.1 Placement and testing

Use only original lithium ion batteries with the voltage listed on the nameplate of your power tool. Using other batteries can lead to injuries and pose a fire hazard.



Use of batteries not suitable for the machine can lead to malfunctions of or cause damage to the power tool.

Set the rotational direction switch **8** to the centre position in order to avoid unintentional starting. Insert the charged battery **5** into the handle so that it can be felt to engage and faces flush against the handle.

Reversing the Rotational Direction

The rotational direction switch **8** is used to reverse the rotational direction of the machine. However, this is not possible with the On/Off switch **7** actuated.

Right rotation: For driving in screws and tightening nuts, press the rotational direction switch **8** through to the left stop.

Left Rotation: For loosening and unscrewing screws and nuts, press the rotational direction switch **8** through to the right stop.

Switching On and Off

To start the machine, press the On/Off switch **7** and keep it pressed. The power light **4** lights up when the On/Off switch **7** is slightly or completely pressed, and allows the work area to be illuminated when lighting conditions are insufficient. To switch **off** the machine, release the On/Off switch **7**.

Adjusting the Speed

The speed of the switched on power tool can be variably adjusted, depending on how far the On/Off switch **7** is pressed. Light pressure on the On/Off switch **7** results in a low rotational speed. Further pressure on the switch results in an increase in speed.

4.2 Adjustment operation



Before any work on the machine itself (e. g. maintenance, tool change, etc.) as well as during transport and storage, remove the battery from the power tool. There is danger of injury when unintentionally actuating the On/Off switch.

Inserting

Pull the locking sleeve **3** forward, push the insert tool to the stop into the tool holder **2** and release the locking sleeve **3** to lock the insert tool. Use only screwdriver bits with ball catch **1**. Other screwdriver bits can be used with a universal bit holder with ball catch **12**.

Removing

Pull the locking sleeve **3** forward and remove the insert tool.

Tips

Before screwing larger, longer screws into hard materials, it is advisable to predrill a pilot hole with the core diameter of the thread to approx. 2/3 of the screw length.

5. Maintenance and service instructions

Before any work on the machine itself, pull the mains plug. For safe and proper working, always keep the machine and ventilation slots clean.

Transport

The contained lithium-ion batteries are subject to the Dangerous Goods Legislation requirements. The user can transport the batteries by road without further requirements. When being transported by third parties (e.g.: air transport or forwarding agency), special requirements on packaging and labelling must be observed. For preparation of the item being shipped, consulting an expert for hazardous material is required.

Dispatch batteries only when the housing is undamaged. Tape or mask off open contacts and pack up the battery in such a manner that it cannot move around in the packaging. Please also observe possibly more detailed national regulations.

5.1 Cleaning

When the battery is no longer operative, please refer to an authorised after-sales service agent for **STAYER** power tools. If the machine should fail despite the care taken in manufacturing and testing procedures, repair should be carried out by an after-sales service centre for **STAYER** power tools.

5.2 Repair service

Our after-sales service responds to your questions concerning maintenance and repair of your product as well as spare parts. Exploded views and information on spare parts can also be found under: info@grupostayer.com Our customer consultants answer your questions concerning best buy, application and adjustment of products and accessories.

5.3 Warranty

Warranty card Included in the documentation that accompanies this equipment, you should find the warranty

card. You should fill out the card completely and return to vendor with a copy of purchasing receipt or invoice and you should receive a receipt.

Note: If you cannot find the warranty card within the documentation, you must ask for it through your supplier. The warranty is limited only to manufacturing defects and expire if pieces have been removed or manipulated or repaired other than the manufacturer.

5.4 Disposal and recycling

The machine, accessories and packaging should be sorted for environmental-friendly recycling.

Only for EC countries:

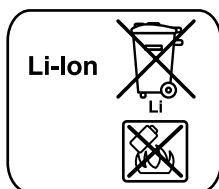
Do not dispose of power tools into household waste!



According the European Guideline 2012/19/CE for Waste Electrical and Electronic Equipment and its implementation into national right, power tools that are no longer usable must be collected separately and disposed of in an environmentally correct manner.

Subject to change without notice.

Battery packs/batteries:



Li-ion:

Please observe the instructions in section "Transport".

Do not dispose of battery packs/batteries into household waste, fire or water. Battery packs/batteries should be collected, recycled or disposed of in an environmental-friendly manner.

Only for EC countries:

Defective or dead out battery packs/batteries must be recycled according the guideline 2006/66/CE.

6. Regulations

6.1 Technical Data

- = Battery
- = Voltage
- = Battery Power
- = charging time
- = no load speed
- = Percussions
- = Torque
- Ins = Inserting chuck
- = Weight
- L_{pA} dB(A) = Sound power level
- L_{WA} dB(A) = Sound pressure level
- = Vibration

The values given are valid for nominal voltages [U] 230/240 V ~ 50/60 Hz - 110/120 V ~ 60Hz. For lower

voltage and models for specific countries, these values can vary. Please observe the article number on the type plate of your machine. The trade names of the individual machines may vary.

Noise/Vibration Information

Measured sound values determined according to EN 60745. Typically the A-weighted noise levels of the product are: Sound pressure level 87 dB(A); Sound power level 98 dB(A). Uncertainty K =3 dB.



Wear hearing protection

Vibration total values a (triax vector sum) and uncertainty K h determined according to EN 60745:

Impact tightening of fasteners of the maximum capacity of the tool: a =9m/s², K =1.5 m/s². h

The vibration emission level given in this information sheet has been measured in accordance with a standardised test given in EN 60745 and may be used to compare one tool with another. It may be used for a preliminary assessment of exposure.

The declared vibration emission level represents the main applications of the tool. However if the tool is used for different applications, with different accessories or poorly maintained, the vibration emission may differ. This may significantly increase the exposure level over the total working period.

An estimation of the level of exposure to vibration should also take into account the times when the tool is switched off or when it is running but not actually doing the job. This may significantly reduce the exposure level over the total working period.

Identify additional safety measures to protect the operator from the effects of vibration such as: maintain the tool and the accessories, keep the hands warm, organisation of work patterns.

6.2 EU declaration of conformity

The undersigned: **STAYER IBERICA, S.A.**

With address at:

Calle Sierra de Cazorla, 7
 Área Empresarial Andalucía - Sector 1
 28320 PINTO (MADRID)
 Tel.: +34 902 91 86 81 / Fax: +34 91 691 91 72

CERTIFICA

That the machine:

Type: **IMPACT WRENCH**
 Models: **ISL122 - IS L18 - ISL222 - ISL224**

We declare under our sole responsibility that this product is in conformity with the following standards or standardized documents: EN 60745-1, EN 60745-2-2, EN 55014-1, EN 55014-2, EN 61000-3-2, EN 61000-3-3 according to EU Regulations 2006/42/CE, 2014/30/EU, 2011/65/EU

Ramiro de la fuente
 Managing Director

January 2017





STAYER

Área Empresarial Andalucía - Sector 1
C/ Sierra de Cazorla, 7
28320 - Pinto (Madrid) SPAIN
Email: sales@grupostayer.com
Email: info@grupostayer.com



www.grupostayer.com