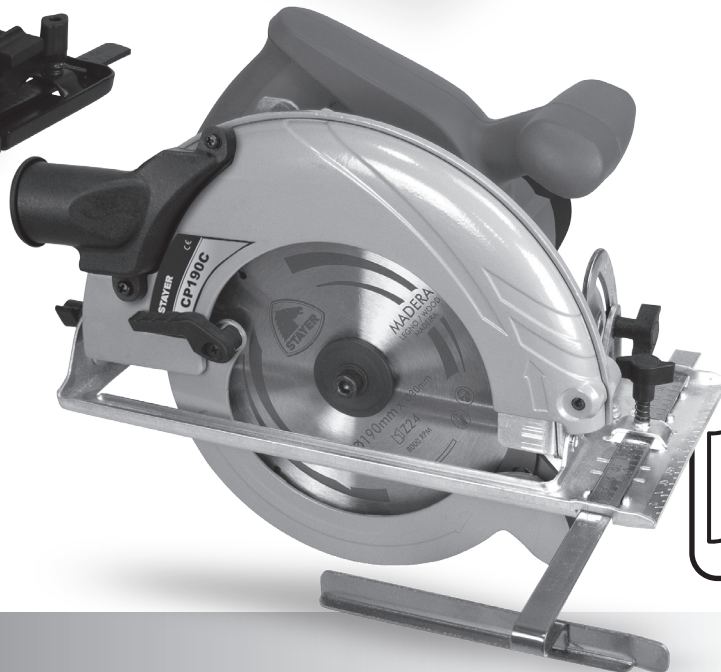
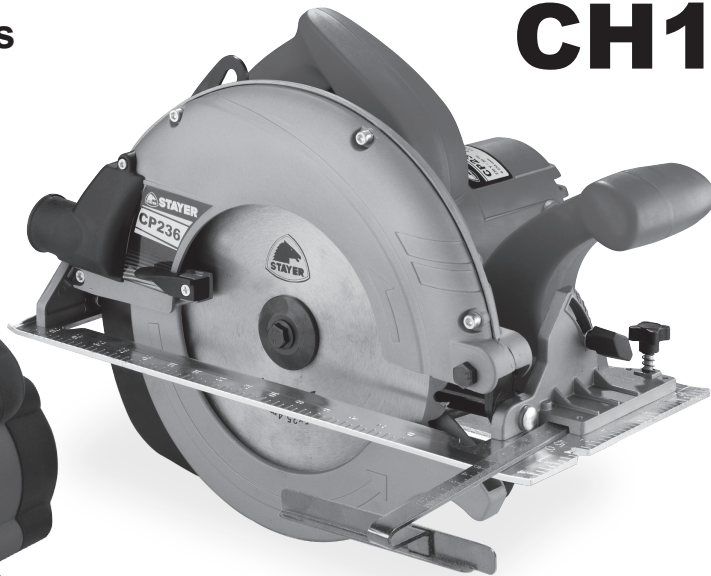




STAYER

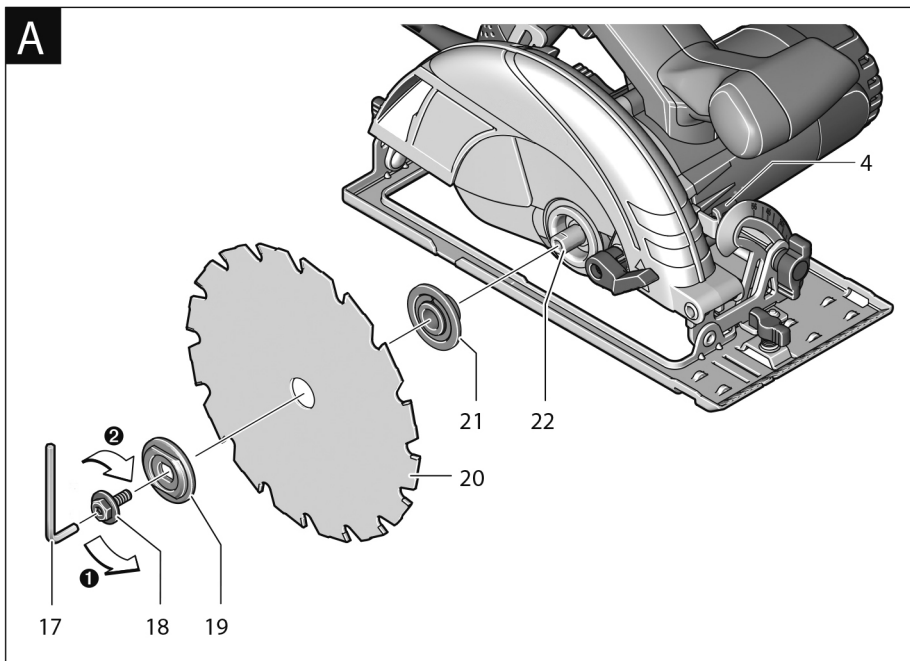
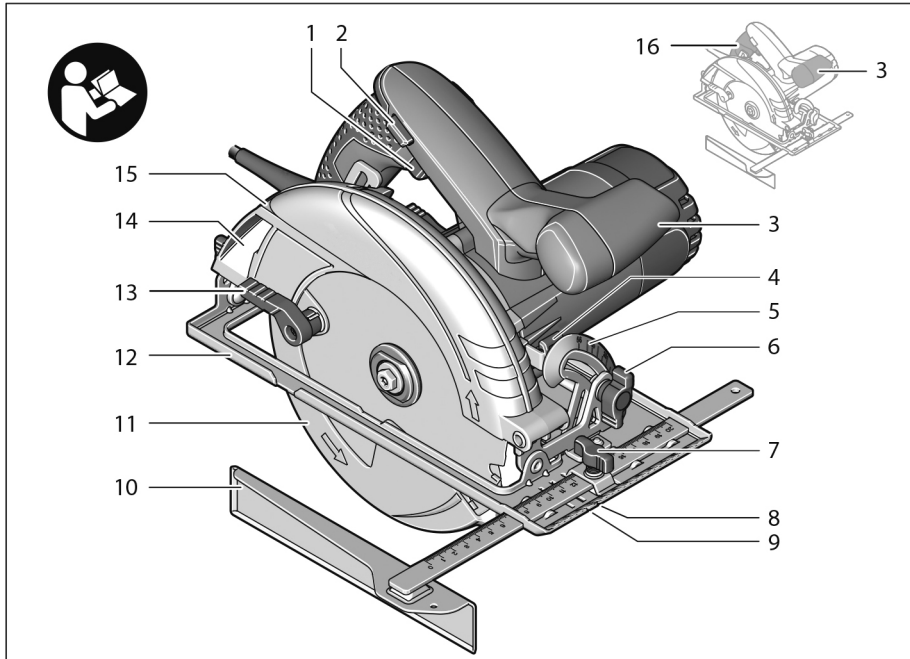
- ES** Manual de instrucciones
- IT** Istruzioni d'uso
- GB** Operating instructions
- FR** Instructions d'emploi
- P** Manual de instruções
- TR** Kullanma Kilavuzu
- PL** Instrukcja obsługi

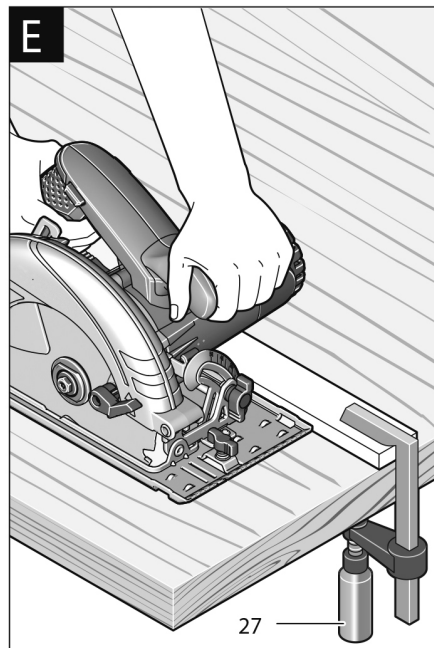
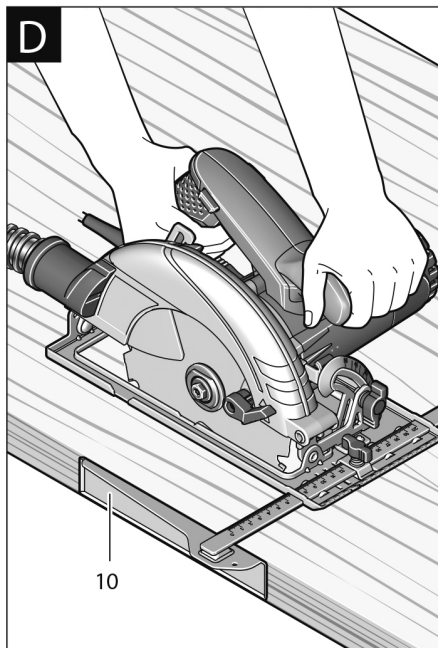
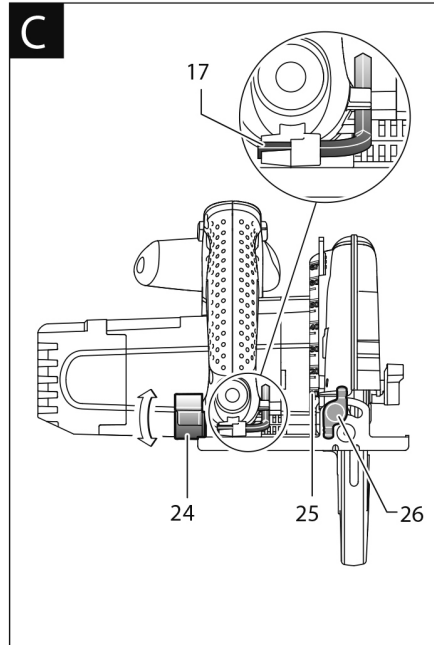
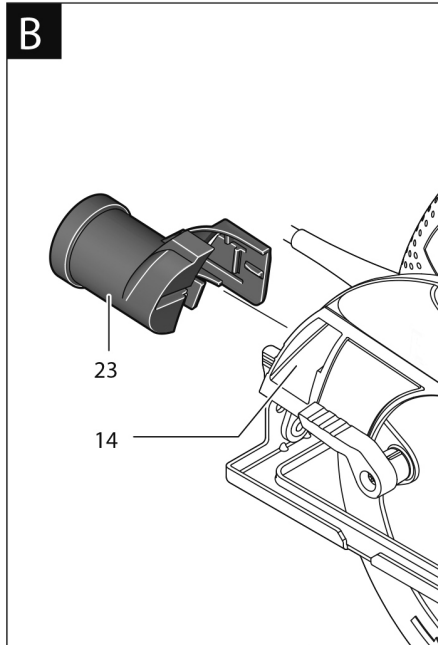
CP190
CP190C
CP236
CH185C



Área Empresarial Andalucía - Sector 1
C/ Sierra de Cazorla, 7
28320 - Pinto (Madrid) SPAIN
Email: sales@grupostayer.com
Email: info@grupostayer.com

www.grupostayer.com







			CP190	CP190C	CP236	CH185C
	W		1600	1600	2000	1300
	min ⁻¹		4500	5000	4500	4500
	mm		190x25.4 Z-24	190x30 Z-24	235x25.4 Z-24	185x16 Z-24
	°		0-45	0-45	0-45	45
	mm		66	66	85	0-65
	mm		43	43	58	0-44
	Kg		4	4	7.2	4.8
	K=3db	L _{PA} dB(A)	95	95	97	97
		L _{WA} dB(A)	108	108	110	110
	K=1.5 m/s ²	a _h m/s ²	<2.5	<2.5	<2.5	<2.5

Safety Warnings for Circular Saws

Cutting procedures

- **DANGER: Keep hands away from cutting area and the blade. Keep your second hand on auxiliary handle, or motor housing.** If both hands are holding the saw, they cannot be cut by the blade.
- **Do not reach underneath the workpiece.** The guard cannot protect you from the blade below the workpiece.
- **Adjust the cutting depth to the thickness of the workpiece.** Less than a full tooth of the blade teeth should be visible below the workpiece.
- **Never hold piece being cut in your hands or across your leg. Secure the workpiece to a stable platform.** It is important to support the work properly to minimize body exposure, blade binding, or loss of control.
- **Hold the power tool by insulated gripping surfaces only, when performing an operation where the cutting tool may contact hidden wiring or its own cord.** Contact with a "live" wire will also make exposed metal parts of the power tool "live" and could give the operator an electric shock.
- **When ripping, always use a rip fence or straight edge guide.** This improves the accuracy of cut and reduces the chance of blade binding.
- **Always use blades with correct size and shape (diamond versus round) of arbour holes.** Blades that do not match the mounting hardware of the saw will run eccentrically, causing loss of control.
- **Never use damaged or incorrect blade washers or bolt.** The blade washers and bolt were specially designed for your saw, for optimum performance and safety of operation.
- **Kickback causes and related warnings.**
 - * Kickback is a sudden reaction to a pinched, bound or misaligned saw blade, causing an uncontrolled saw to lift up and out of the workpiece toward the operator;
 - * When the blade is pinched or bound tightly by the kerf closing down, the blade stalls and the motor reaction drives the unit rapidly back toward the operator;
 - * If the blade becomes twisted or misaligned in the cut, the teeth at the back edge of the blade can dig into the top surface of the wood causing the blade to climb out of the kerf and jump back toward the operator.

Kickback is the result of saw misuse and/or incorrect operating procedures or conditions and can be avoided by taking proper precautions as given below.

- **Maintain a firm grip with both hands on the saw and position your arms to resist kickback forces. Position your body to either side of the blade, but not in line with the blade.** Kickback could cause the saw to jump backwards, but kickback forces can be controlled by the operator, if proper precautions are taken.
- **When blade is binding, or when interrupting a cut for any reason, release the trigger and hold the saw motionless in the material until the blade comes to a complete stop. Never attempt to remove the saw from the work or pull the saw backward while the blade is in motion or kickback may occur.** Investigate and take corrective actions to eliminate the cause of blade binding.

- **When restarting a saw in the workpiece, centre the saw blade in the kerf and check that saw teeth are not engaged into the material.** If saw blade is binding, it may walk up or kickback from the workpiece as the saw is restarted.
- **Support large panels to minimise the risk of blade pinching and kickback.** Large panels tend to sag under their own weight. Supports must be placed under the panel on both sides, near the line of cut and near the edge of the panel.
- **Do not use dull or damaged blades.** Unsharpened or improperly set blades produce narrow kerf causing excessive friction, blade binding and kickback.
- **Blade depth and bevel adjusting locking levers must be tight and secure before making cut.** If blade adjustment shifts while cutting, it may cause binding and kickback.
- **Use extra caution when sawing into existing walls or other blind areas.** The protruding blade may cut objects that can cause kickback.

Lower guard function

- **Check lower guard for proper closing before each use. Do not operate the saw if lower guard does not move freely and close instantly. Never clamp or tie the lower guard into the open position.** If saw is accidentally dropped, lower guard may be bent. Raise the lower guard with the retracting handle and make sure it moves freely and does not touch the blade or any other part, in all angles and depths of cut.
- **Check the operation of the lower guard spring. If the guard and the spring are not operating properly, they must be serviced before use.** Lower guard may operate sluggishly due to damaged parts, gummy deposits, or a build-up of debris.
- **The lower guard may be retracted manually only for special cuts such as "plunge cuts and angle cuts". Raise the lower guard by retracting the handle and as soon as the blade enters the material, release the lower guard.** For all other sawing operations, the lower guard should operate automatically.
- **Always observe that the lower guard is covering the blade before placing saw down on bench or floor.** An unprotected, coasting blade will cause the saw to walk backwards, cutting whatever is in its path. Be aware of the time it takes for the blade to stop after switch is released.

Additional safety warnings

- **Do not reach into the chip ejector with your hands.** They could be injured by rotating parts.
- **Do not work overhead with the saw.** In this manner you do not have sufficient control over the power tool.
- **Use suitable detectors to determine if utility lines are hidden in the work area or call the local utility company for assistance.** Contact with electric lines can lead to fire and electric shock. Damaging a gas line can lead to explosion. Penetrating a water line causes property damage or may cause an electric shock.
- **Do not operate the power tool stationary.** It is not designed for operation with a saw table.
- **Do not use high speed steel (HSS) saw blades.** Such saw blades can easily break.
- **Do not saw ferrous metals.** Red hot chips can ignite the dust extraction.

- **When working with the machine, always hold it firmly with both hands and provide for a secure stance.** The power tool is guided more secure with both hands.
- **Secure the workpiece.** A workpiece clamped with clamping devices or in a vice is held more secure than by hand.
- **Always wait until the machine has come to a complete stop before placing it down.** The tool insert can jam and lead to loss of control over the power tool.

Product Description and Specifications



Read all safety warnings and all instructions.

Failure to follow the warnings and instructions may result in electric shock, fire and/or serious injury.

While reading the operating instructions, unfold the graphics page for the machine and leave it open.

Intended Use

The machine is intended for lengthways and crossways cutting of wood with straight cutting lines as well as mitre cuts in wood while resting firmly on the workpiece. With suitable saw blades, thin-walled non-ferrous metals, e. g., profiles, can also be sawed.

Working ferrous metals is not permitted.

Product Features

The numbering of the product features refers to the illustration of the machine on the graphics page.

- 1 On/Off switch.
- 2 Lock-off button for On/Off switch.
- 3 Auxiliary handle (insulated gripping surface).
- 4 Spindle lock button.
- 5 Scale for mitre angle.
- 6 Wing bolt for bevel-angle preselection.
- 7 Wing bolt for parallel guide.
- 8 Cutting mark, 45°.
- 9 Cutting mark, 0°.
- 10 Parallel guide.
- 11 Retracting blade guard.
- 12 Base plate.
- 13 Lever for retracting blade guard.
- 14 Chip ejector.
- 15 Blade guard.
- 16 Handle (insulated gripping surface).
- 17 Hex key.
- 18 Clamping bolt with washer.
- 19 Clamping flange.
- 20 Saw blade*.
- 21 Mounting flange.
- 22 Saw spindle.
- 23 Extraction adapter*.
- 24 Clamping lever for cutting-depth preselection.
- 25 Cutting-depth scale.
- 26 Wing bolt for bevel-angle preselection.
- 27 Set of screw clamps**.

*Accessories shown or described are not part of the standard delivery scope of the product. A complete overview of accessories can be found in our accessories program.

**Commercially available (not included in the delivery scope).

Technical data



= Rated power input.



= Load speed.



= Disc dimension.



= Inclined cutting.



= Cutting capacity 90°



= Cutting capacity 45°



= Weight.



= Sound power level.



= Sound pressure level.



= Vibration.

Noise/Vibration Information

Sound emission values determined according to EN 60745-2-5. Typically the A-weighted noise levels of the product are: Sound pressure level 96 dB(A); Sound power level 107 dB(A). Uncertainty K =3 dB.

Wear hearing protection!

Vibration total values ah (triax vector sum) and uncertainty K determined according to EN 60745-2-5:
ah < 2.5 m/s², K = 1.5 m/s².

The vibration level given in this information sheet has been measured in accordance with a standardised test given in EN 60745 and may be used to compare one tool with another.

It may be used for a preliminary assessment of exposure. The declared vibration emission level represents the main applications of the tool. However if the tool is used for different applications, with different accessories or insertion tools or is poorly maintained, the vibration emission may differ. This may significantly increase the exposure level over the total working period.

An estimation of the level of exposure to vibration should also take into account the times when the tool is switched off or when it is running but not actually doing the job. This may significantly reduce the exposure level over the total working period.

Identify additional safety measures to protect the operator from the effects of vibration such as: maintain the tool and the accessories, keep the hands warm, organisation of work patterns.

Declaration of conformity

The undersigned: STAYER IBERICA, S.A.

With address at:

Calle Sierra de Cazorla, 7
Área Empresarial Andalucía - Sector 1
28320 PINTO (MADRID)
Tel.: +34 91 691 86 30 / Fax: +34 91 691 86 31

CERTIFIES

That the machine:

Type: **CIRCULAR SAW**

Models: **CP190-CP190C-CP236-CH185C**

I declare under our responsibility that the product described under "Technical Data" is in accordance with the following standards or standardized documents: EN 60745-1, EN 60745-2-5, EN 61029-2-1, EN 55014-1, EN 55014-2, EN 61000-3-2, EN 61000-3-3 according to regulations 2011/65/UE, 2014/30/EU, 2006/42/CE.



September, 2017



Ramiro de la fuente
Managing Director

blade guard **15** must correspond.

- Mount the clamping flange **19** and screw in the clamping bolt **18** turning in rotation direction **2**. Observe correct mounting position of mounting flange **21** and clamping flange **19**.
- Press the spindle lock button **4** and keep it pressed.
- With the Hex key **17**, tighten the clamping bolt **18** turning in rotation direction **2**. The tightening torque is between 6–9 Nm, which corresponds to hand tight plus ¼ turn.

Dust/Chip Extraction

- **Before any work on the machine itself, pull the mains plug.**
- Dusts from materials such as lead-containing coatings, some wood types, minerals and metal can be harmful to one's health. Touching or breathing-in the dusts can cause allergic reactions and/or lead to respiratory infections of the user or bystanders. Certain dusts, such as oak or beech dust, are considered as carcinogenic, especially in connection with wood-treatment additives (chromate, wood preservative). Materials containing asbestos may only be worked by specialists.

* As far as possible, use a dust extraction system suitable for the material.

* Provide for good ventilation of the working place.

* It is recommended to wear a P2 filter-class respirator.

Observe the relevant regulations in your country for the materials to be worked.

- Prevent dust accumulation at the workplace. Dusts can easily ignite.

Mounting the Extraction Adapter (see figure B)

Attach the extraction adapter **23** onto the chip ejector **14** until it latches. A vacuum hose with a diameter of 35 mm can be connected to the extraction adapter **23**.

- The extraction adapter may not be mounted when no external dust extraction is connected. Otherwise the extraction channel can become clogged.

- Do not connect a dust bag to the extraction adapter. Otherwise the extraction system can become clogged.

To ensure optimum extraction, the extraction adapter **23** must be cleaned regularly.

External Dust Extraction

Connect the vacuum hose to a vacuum cleaner (accessory).

An overview for connecting to various vacuum cleaners can be found at the end of this manual.

The machine can be plugged directly into the receptacle of a STAYER all-purpose vacuum cleaner with remote starting control.

The vacuum cleaner starts automatically when the machine is switched on.

The vacuum cleaner must be suitable for the material being worked.

When vacuuming dry dust that is especially detrimental to health or carcinogenic, use a special vacuum cleaner.

Assembly

Mounting/Replacing the Saw Blade

- **Before any work on the machine itself, pull the mains plug.**
- **When mounting the saw blade, wear protective gloves. Danger of injury when touching the saw blade.**
- **Only use saw blades that correspond with the characteristic data given in the operating instructions.**
- **Do not under any circumstances use grinding discs as the cutting tool.**

Selecting a Saw Blade

An overview of recommended saw blades can be found at the end of this manual.

Removal of the Saw Blade (see figure A)

For changing the cutting tool, it is best to place the machine on the face side of the motor housing.

- Press the spindle lock button **4** and keep it pressed.
- The spindle lock button **4** may be actuated only when the saw spindle is at a standstill.

Model CH 185 C: To lock the disc apply the key pivots in the washer **19**.

Otherwise, the power tool can be damaged.

* With the Hex key **17**, unscrew the clamping bolt **18** turning in rotation direction **1**.

* Tilt back the retracting blade guard **11** and hold firmly.

* Remove the clamping flange **19** and the saw blade **20** from the saw spindle **22**.

Mounting the Saw Blade (see figure A)

For changing the cutting tool, it is best to place the machine on the face side of the motor housing.

- Clean the saw blade **20** and all clamping parts to be assembled.
- Tilt back the retracting blade guard **11** and hold firmly.
- Place the saw blade **20** on to the mounting flange **21**. The cutting direction of the teeth (direction or arrow on saw blade) and the direction-of-rotation arrow on the

Operation

Operating Modes

- Before any work on the machine itself, pull the mains plug.

Adjusting the Cutting Depth (see figure C)

- Adjust the cutting depth to the thickness of the

workpiece. Less than a full tooth of the blade teeth should be visible below the workpiece.

Loosen the clamping lever **24**. For a smaller cutting depth, pull the saw away from the base plate **12**; for a larger cutting depth, push the saw toward the base plate **12**. Adjust the desired cutting depth at the cutting-depth scale. Tighten the clamping lever **24** again.

If the cutting depth cannot be fully adjusted after loosening clamping lever **24**, pull clamping lever **24** away from the saw and swivel it downward. Release the clamping lever **24** again.

Repeat this procedure until the requested cutting depth can be adjusted.

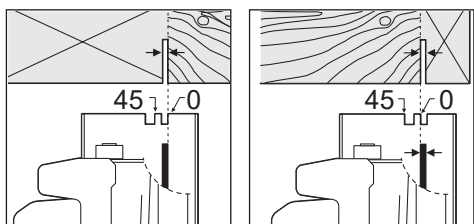
If the cutting depth cannot be sufficiently locked after tightening clamping lever **24**, pull clamping lever **24** away from the saw and swivel it upward. Release the clamping lever **24** again. Repeat this procedure until the cutting depth is locked.

Adjusting the Cutting Angle

Loosen the wing bolts **6** and **26**. Tilt the saw sideways. Adjust the desired measure on the scale **5**. Tighten the wing bolts **6** and **26** again.

Note: For bevel cuts, the cutting depth is smaller than the setting indicated on the cutting-depth scale **25**.

Cutting Marks



The 0° cutting mark **9** indicates the position of the saw blade for right-angled cuts. The 45° cutting mark **8** indicates the position of the saw blade for 45° cuts.

For precise cuts, position the circular saw against the workpiece as shown in the figure. It is best to carry out a trial cut.

Starting Operation

- **Observe correct mains voltage! The voltage of the power source must agree with the voltage specified on the nameplate of the machine. Power tools marked with 230 V can also be operated with 220 V.**

Switching On and Off

To start the machine, first push the lock-off button for the On/Off switch **2** and then press the On/Off switch **1** and keep it pressed.

To switch off the machine, release the On/Off switch **1**.

Note: For safety reasons, the On/Off switch **1** cannot be locked; it must remain pressed during the entire operation. To save energy, only switch the power tool on when using it.

Working Advice

Protect saw blades against impact and shock.

Guide the machine evenly and with light feed in the cutting direction.

Excessive feed significantly reduces the service life of the saw blade and can cause damage to the power tool. Sawing performance and cutting quality depend essentially on the condition and the tooth form of the saw blade.

Therefore, use only sharp saw blades that are suited for the material to be worked.

- **Before any work on the machine itself, pull the mains plug.**

Sawing Wood

The correct selection of the saw blade depends on the type and quality of the wood and whether lengthway or crossway cuts are required.

When cutting spruce lengthways, long spiral chips are formed.

Beech and oak dusts are especially detrimental to health. Therefore, work only with dust extraction.

Sawing with Parallel Guide (see figure D)

The parallel guide **10** enables exact cuts along a workpiece edge and cutting strips of the same dimension.

Loosen wing bolt **7** and slide the scale of the parallel guide **10** through the guide in the base plate **12**. Adjust the desired cutting width as the scale setting at the respective cutting mark **9** or **8**; see Section "Cutting Marks". Tighten wing bolt **7** again.

Sawing with Auxiliary Guide (see figure E)

For sawing large workpieces or straight edges, a board or strip can be clamped to the workpiece as an auxiliary guide; the base plate of the circular saw can be guided alongside the auxiliary guide.

Repair service

Our after-sales service responds to your questions concerning maintenance and repair of your product as well as spare parts.

Exploded views and information on spare parts can also be found under: info@grupostayer.com

Our customer consultants answer your questions concerning best buy, application and adjustment of products and accessories.

Warranty

Warranty card

Included in the documentation that accompanies this equipment, you should find the warranty card. You should fill out the card completely and return to vendor with a copy of purchasing receipt or invoice and you should receive a receipt.

Note: If you cannot find the warranty card within the documentation, you must ask for it through your supplier.

The warranty is limited only to manufacturing defects and expires if pieces have been removed or manipulated or repaired other than the manufacturer.

Environment

The machine, accessories and packaging should be sorted for environmental-friendly recycling. Only for EC countries:

Do not dispose of power tools into household waste!



According to the European Guideline 2012/19/UE for Waste Electrical and Electronic Equipment and its implementation into national law, power tools that are no longer usable must be collected separately and disposed of in an environmentally correct manner.



STAYER

Área Empresarial Andalucía - Sector 1
C/ Sierra de Cazorla, 7
28320 - Pinto (Madrid) SPAIN
Email: sales@grupostayer.com
Email: info@grupostayer.com



www.grupostayer.com